

TYPE YK - MEDIUM VOLTAGE (6000V) WOUND ROTOR MOTORS
TECHNICAL DATA

لیست قیمت: ۰۲۱۸۸۲۸۰۰۷۷

Degree of Protection: IP 55, 50 Hz, IM B3, Insulation Class : F, Temp.rise: B

ptco@parstehran.ir | www.parsTehran.ir

Output Kw	Motor Type	Frame Size mm	Speed r/min	Efficiency Full Load 100%	Power factor Full Load 100%	Current		Torque			Rotor Inertia kgm ²	Motor Weight kg
						I _N A	I _s I _N	T _N Nm	T _s T _N	T _{MAX} T _N		
1500 rev/min - 4pole												
220	YK1351-4A0	355	1484	93.3	0.85	25	6.5	1416	0.8	1.8	4.50	2300
250	YK1352-4A0	355	1483	93.4	0.85	29	6.5	1610	0.8	1.8	4.50	2360
280	YK1353-4A0	355	1484	93.5	0.86	33	6.5	1802	0.8	1.8	4.75	2400
315	YK1354-4A0	355	1483	93.6	0.86	37	6.5	2028	0.8	1.8	5.00	2450
355	YK1401-4A0	400	1485	93.8	0.86	40	6.5	2283	0.8	1.8	9.00	2870
400	YK1402-4A0	400	1484	94	0.86	45	6.5	2574	0.8	1.8	10.00	2960
450	YK1403-4A0	400	1484	94.2	0.86	50	6.5	2896	0.8	1.8	11.00	3115
500	YK1404-4A0	400	1485	94.3	0.87	56	6.5	3215	0.8	1.8	12.00	3250
560	YK1405-4A0	400	1486	94.5	0.87	63	6.5	3599	0.8	1.8	13.00	3340
630	YK1451-4A0	450	1487	94.8	0.87	71	6.5	4046	0.8	1.8	18.50	4006
710	YK1452-4A0	450	1487	95	0.87	79	6.5	4559	0.8	1.8	20.75	4080
800	YK1453-4A0	450	1488	95.1	0.87	90	6.5	5134	0.8	1.8	22.75	4140
900	YK1454-4A0	450	1487	95.2	0.87	100	6.5	5779	0.8	1.8	23.75	4200
1000	YK1501-4A0	500	1489	95.3	0.87	111	6.5	6413	0.7	1.8	23.75	4790
1120	YK1502-4A0	500	1490	95.4	0.88	123	6.5	7178	0.7	1.8	35.25	4960
1250	YK1503-4A0	500	1490	95.5	0.88	138	6.5	8011	0.7	1.8	38.75	5140
1400	YK1504-4A0	500	1490	95.6	0.88	155	6.5	8972	0.7	1.8	42.00	5340
1600	YK1561-4A0	560	1490	95.7	0.89	173	6.5	10254	0.6	1.8	54.00	6330
1800	YK1562-4A0	560	1491	95.8	0.89	195	6.5	11528	0.6	1.8	57.50	6530
2000	YK1563-4A0	560	1491	95.9	0.89	216	6.5	12809	0.6	1.8	64.50	6915
1000 rev/min - 6pole												
250	YK1351-6A0	355	990	93.3	0.82	30	6	2411	0.8	1.8	9.75	2520
220	YK1352-6A0	355	989	93	0.82	27	6	2124	0.8	1.8	9.00	2440
280	YK1401-6A0	400	989	93.5	0.83	33	6	2703	0.8	1.8	16.25	2995
315	YK1402-6A0	400	989	93.7	0.83	37	6	3041	0.8	1.8	17.75	3120
355	YK1403-6A0	400	989	93.9	0.83	42	6	3428	0.8	1.8	19.00	3280
400	YK1404-6A0	400	989	94	0.83	48	6	3862	0.8	1.8	20.50	3375
450	YK1451-6A0	450	990	94.3	0.84	51	6	4340	0.8	1.8	23.50	3680
500	YK1452-6A0	450	991	94.5	0.85	57	6	4818	0.8	1.8	25.50	3820
560	YK1453-6A0	450	991	94.7	0.85	63	6	5396	0.8	1.8	28.50	4000
630	YK1454-6A0	450	991	94.8	0.85	72	6	6071	0.8	1.8	30.75	4100
710	YK1501-6A0	500	993	95	0.85	79	6	6828	0.7	1.8	48.50	4570
800	YK1502-6A0	500	993	95.1	0.85	90	6	7693	0.7	1.8	52.25	4720
900	YK1503-6A0	500	992	95.2	0.85	101	6	8663	0.7	1.8	54.00	4790
1000	YK1504-6A0	500	993	95.3	0.85	113	6	9616	0.7	1.8	58.50	4980
1120	YK1561-6A0	560	993	95.4	0.86	125	6	10770	0.7	1.8	76.00	6205
1250	YK1562-6A0	560	992	95.5	0.86	139	6	12033	0.7	1.8	80.75	6390
1400	YK1563-6A0	560	992	95.6	0.86	156	6	13476	0.7	1.8	58.25	6445
750 rev/min - 8pole												
220	YK1401-8A0	400	740	93	0.79	28	5.5	3226	0.8	1.8	19.00	3135
250	YK1402-8A0	400	740	93.2	0.79	38	5.5	3613	0.8	1.8	20.00	3285
280	YK1403-8A0	400	740	93.2	0.79	35	5.5	3613	0.8	1.8	21.50	3385
315	YK1451-8A0	450	744	93.4	0.80	39	5.5	4043	0.8	1.8	28.50	3730
355	YK1452-8A0	450	744	93.5	0.80	44	5.5	4556	0.8	1.8	29.75	3790
400	YK1453-8A0	450	744	93.7	0.80	49	5.5	5134	0.8	1.8	33.25	3980
450	YK1454-8A0	450	744	93.8	0.81	55	5.5	5776	0.8	1.8	35.60	4100
500	YK1501-8A0	500	743	94.3	0.81	59	5.5	6426	0.8	1.8	29.25	3900
560	YK1502-8A0	500	744	94.4	0.82	66	5.5	7149	0.8	1.8	65.75	4200
630	YK1503-8A0	500	744	94.5	0.82	75	5.5	8086	0.8	1.8	70.25	4920
710	YK1504-8A0	500	743	94.5	0.82	84	5.5	9125	0.8	1.8	70.25	4920
800	YK1561-8A0	560	745	94.7	0.84	94	6	10254	0.7	1.8	82.25	6250
900	YK1562-8A0	560	744	94.3	0.84	105	6	11551	0.7	1.8	82.75	6340
1000	YK1563-8A0	560	744	94.9	0.84	117	6	12835	0.7	1.8	95.00	6535

Stator Voltage from 3000 up to 6600V on request

* In these motor series, the range of 3000 ~11000V can be manufactured

* Motor up 10MW can be manufactured according to customer order

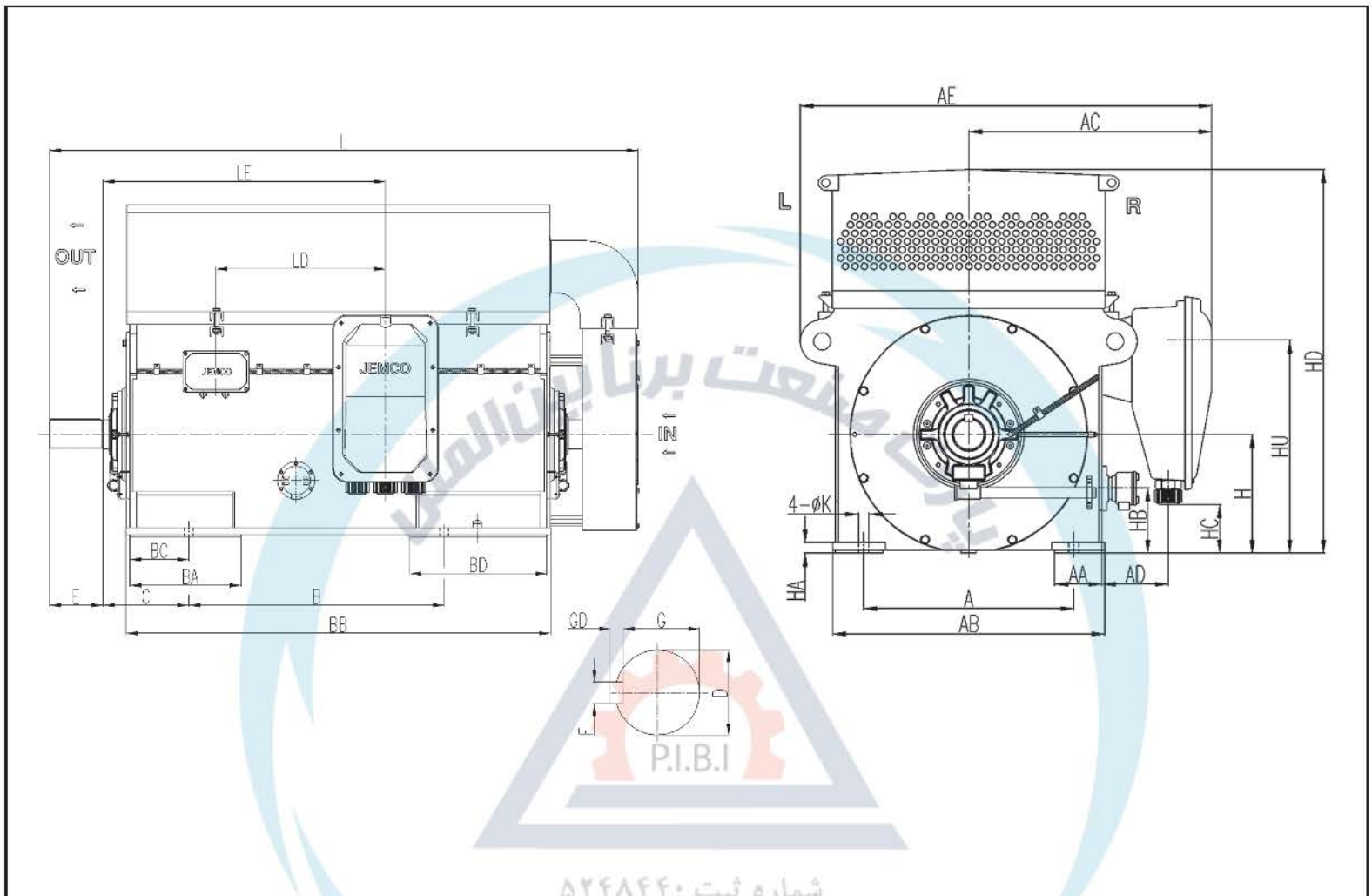
Engineered Motors, YK

Dimension Drawings

Medium Voltage(6000V), Squirrel Cage Motors, IM B3, IC611, IP55, 50Hz

لیست قیمت: ۰۲۱۸۸۲۸۰۰۷۷

ptco@parstehran.ir | www.parsTehran.ir



شماره ثبت: ۵۲۴۸۴۴

سهامی خاص

Frame Size	Poles	A	B	C	D	E	F	G	H	K	L	AA	AB	AC	AD	AE	BB	BC	GD	HA	HB	HC	HD	HU	LD	LE
355	4,6	630	900	315	100	210	28	90	355	28	2220	160	870	810	22	1360	1600	180	16	35	220	160	1180	595	370	885
400	4,6,8	710	1000	355	110	210	28	100	400	35	2280	160	920	840	22	1400	1600	230	16	35	220	280	1300	715	380	870
450	4	800	1120	355	120	210	32	109	450	35	2200	150	1000	880	22	2000	1650	210	18	36	221	350	1450	785	400	900
450	6,8	800	1120	355	130	250	32	119	450	35	2200	150	1000	880	22	2000	1650	210	18	36	221	350	1450	785	470	900
500	4	900	1250	475	130	250	32	119	500	42	2500	170	1120	940	22	1600	1850	330	18	36	221	400	1700	875	470	1020
500	6,8	900	1250	475	140	250	36	128	500	42	2500	170	1120	940	22	1600	1750	330	20	36	221	400	1700	875	470	1020
560	4	1000	1400	500	150	150	36	138	560	42	3000	195	1200	980	22	1700	2100	320	20	36	221	530	1900	965	470	3030
560	6,8	1000	1400	500	160	300	40	147	560	42	3000	195	1200	980	22	1700	2100	340	22	36	221	530	1900	965	470	2870

TYPE YK - MEDIUM VOLTAGE (6000V) - Steel Frame



All type of cooling system productions are available according to IEC,(such as IC511)

*This table is confirm on the main dimension in mm

*In special application these dimension can be changed by customer order

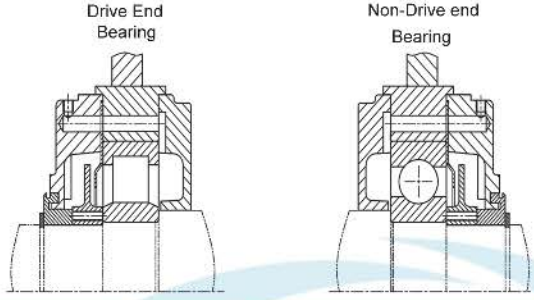
Engineered Bearings Type YK

Properties Table

Medium Voltage (6000V), Squirrel Cage Motors

لیست قیمت: ۰۲۱۸۸۲۸۰۰۷۷

ptco@parstehran.ir | www.parsTehran.ir

												GREASE TYPE
Frame Size	Poles	RPM	Drive End Bearing	AMB.TEMP (C°)	OPER.TIME (h)	QUANTITY (gr)	Non-Drive end Bearing	AMB.TEMP (C°)	OPER.TIME (h)	QUANTITY (gr)		
355	4	1500	NU322ECMC3	25°	1600	60	6322C3	25°	2400	60	K3N DIN 51825	
		6		1000	40°			800	40°			1700
400	4	1500	NU324ECMC3	25°	1400	72	6324C3	25°	3000	72		
		6		1000	40°			700	40°			1500
		8		750	25°			3000	25°		5200	40°
450	4	1500	NU326ECMC3	25°	1100	81	6326C3	25°	2700	81		
		6	1000	40°	600			40°	1300			
		8	750	NU328ECMC3	25°			2300	25°		4400	40°
500	4	1500	NU328ECMC3	25°	900	93	6328C3	25°	2300	93		
		6	1000	40°	500			40°	1200			
		8	750	NU330ECMC3	25°			2100	25°		4000	40°
560	4	1500	NU332ECMC3	25°	600	116	6332C3	25°	1800	116		
		6	1000	40°	300			40°	900			
		8	750	NU334ECMC3	25°			1600	25°		3400	40°
				40°	800	130	6334C3	40°	1700	130		
				25°	2800			25°	4900			
				40°	1400			40°	2500			

Bearings Type YK



*Journal bearing of special design on request.