

**TYPE YD - LOW VOLTAGE (380V) SQUIRREL CAGE MOTORS**

لیست قیمت: ۰۲۱۸۸۲۸۰۰۷۷

**TECHNICAL DATA**

ptco@parstehran.ir | www.parsTehran.ir

Degree of Protection: IP 55, 50 Hz, IM B3, Insulation Class: F/B, Temp.rise: B, S.F.: 1/1

Output Kw	Motor Type	Frame Size mm	Speed r/min	Efficiency Full Load 100%	Power factor Full Load 100%	Current		Torque			Rotor Inertia kgm <sup>2</sup>	Motor Weight kg
						I <sub>N</sub> A	I <sub>s</sub> I <sub>N</sub>	T <sub>N</sub> Nm	T <sub>s</sub> T <sub>N</sub>	T <sub>MAX</sub> T <sub>N</sub>		
3000 rev/min - 2pole												
5.5	YD1131-2A0	132S	2930	86.5	0.89	10.8	7	18	2.2	2.7	0.017	65
7.5	YD1132-2A0	132S	2930	87	0.9	14.6	7	24	2.4	2.7	0.020	71
11	YD1163-2A0	160M	2947	89	0.87	21.3	6.5	35.8	2.1	2.9	0.038	117
15	YD1162-2A0	160M	2932	89.7	0.91	29	7	49	2.2	2.8	0.040	115
18.5	YD1161-2A0	160L	2936	89.5	0.89	36	7	60	2.2	2.8	0.050	142
22	YD1181-2A0	180M	2940	89	0.89	43	7	71	2.2	2.8	0.070	171
30	YD1201-2A0	200L1	2958	91	0.88	56	7	97	2.2	2.8	0.135	229
37	YD1202-2A0	200L2	2956	91.5	0.87	70	7	120	2.2	2.8	0.152	223
45	YD1221-2A0	225M	2968	91.5	0.89	84	7	145	2.2	2.8	0.229	304
55	YD1251-2A0	250M	2970	92.2	0.88	103	7	177	2.2	2.8	0.442	379
75	YD1281-2A0	280S	2980	92	0.9	141	7	241	2.2	2.8	0.769	480
90	YD1282-2A0	280M	2981	92.5	0.91	166	7	288	2.2	2.8	0.956	600
1500 rev/min - 4pole												
5.5	YD1131-4A0	132S	1455	87	0.82	11.5	6.3	35.5	2.2	2.7	0.020	68
7.5	YD1132-4A0	132M	1451	87.8	0.83	15.6	6.9	49	2.6	2.6	0.025	76
11	YD1162-4A0	160M	1460	88.1	0.86	22.6	6.4	72	2	2.7	0.050	103
15	YD1161-4A0	160L	1454	89.5	0.85	30	7	99	2.2	2.8	0.052	144
18.5	YD1181-4A0	180M	1470	91	0.86	35	7	120	2.2	2.8	0.124	172
22	YD1182-4A0	180L	1470	91.5	0.86	42	7	143	2.2	2.8	0.138	182
30	YD1201-4A0	200L	1475	92.5	0.87	57	7	195	2.2	2.8	0.227	248
37	YD1221-4A0	225S	1473	92	0.87	69	7	238	2.2	2.8	0.457	315
45	YD1222-4A0	225M	1475	92.5	0.9	84	7	290	2.2	2.8	0.540	340
55	YD1251-4A0	250M	1481	93	0.88	102	7	355	2.2	2.8	0.821	396
75	YD1281-4A0	280S	1487	93.5	0.88	137	7	482	2.2	2.8	1.352	529
90	YD1282-4A0	280M	1489	94	0.89	163	7	577	2.2	2.8	1.522	650
1000 rev/min - 6pole												
3	YD1131-6A0	132S	950	80	0.77	7.4	5.8	30	2.2	2.3	0.017	62
4	YD1132-6A0	132M	950	82	0.77	9.6	5.8	40	2.2	2.5	0.021	70
5.5	YD1133-6A0	132M	950	83	0.79	12.8	6	55	2.1	2.4	0.028	81
7.5	YD1161-6A0	160M	960	85.8	0.74	18	4.8	74.6	2	2.5	0.050	127
11	YD1162-6A0	160L	960	87.1	0.74	26	5	109	2.1	2.6	0.070	150
15	YD1181-6A0	180L	970	90	0.81	32	7	148	2.2	2.8	0.188	180
18.5	YD1201-6A0	200L1	978	90.7	0.86	37	7	181	2.2	2.8	0.270	238
22	YD1202-6A0	200L2	982	91	0.81	44	7	215	2.2	2.8	0.296	235
30	YD1221-6A0	225M	983	91.3	0.84	59	7	291	2.2	2.8	0.543	313
37	YD1251-6A0	250M	991	91.5	0.85	70	7	362	2.2	2.8	0.925	412
45	YD1281-6A0	280S	998	92.3	0.88	87	7	435	2.2	2.8	1.220	535
55	YD1282-6A0	280M	987	93	0.88	103	7	532	2.2	2.8	1.427	590

\* Depends on request, IP56 is available

\* FC Motor on request

\* Other types of mounting on request

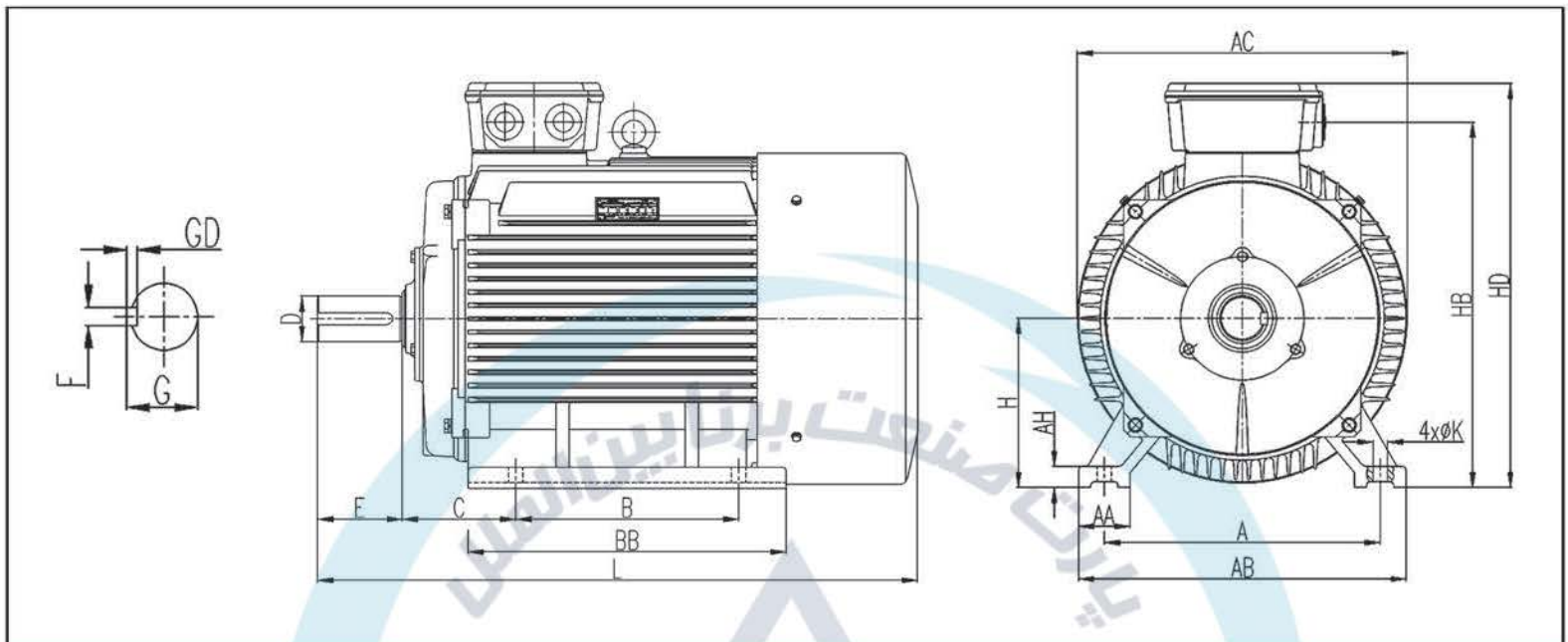
### Engineered Motors, YD(Cast Iron)

#### Dimension Drawings

Low Voltage(380V), Squirrel Cage Motors, IM B3, IC411, IP55, 50Hz

لیست قیمت: ۰۲۱۸۸۲۸۰۰۷۷

ptco@parstehran.ir | www.parsTehran.ir



Frame Size	Poles	H	A	B	C	D	E	F	G	K	AA	AB	BB	AC	AG	AH	HD	HB	L
132M	2,4,6	132	216	178	89	38	80	10	41	12	50	262	217	258	65	18	347	300	483
132S	2,4,6	132	216	140	89	38	80	10	41	12	50	262	217	258	65	18	347	300	483
160M	2	160	254	210	108	42	110	12	45	15	68	317	262	317	95	21	419	369	608
160L	2,4	160	254	254	108	42	110	12	45	15	68	317	306	317	95	21	419	369	652
180M	2,4	180	279	241	121	48	110	14	51.5	14.5	70	349	311	355	95	22	454	404	662
180L	4,6	180	279	279	121	48	110	14	51.5	14.5	70	349	349	355	95	22	454	404	700
200L	2,4,6	200	318	305	133	55	110	16	59	18.5	70	388	368	397	116	25	504	449	762
225S	4	225	356	286	149	60	140	18	64	18.5	75	431	368	446	116	28	552	497	812
225M	2	225	356	311	149	55	110	16	59	18.5	75	431	393	446	116	28	552	497	807
225M	4,6	225	356	311	149	60	140	18	64	18.5	75	431	393	446	116	28	552	497	837
250M	2	250	406	349	168	60	140	18	64	24	80	484	455	485	133	30	610	546	916
250M	4,6	250	406	349	168	65	140	18	69	24	80	484	455	485	133	30	610	546	916
280S	2	280	457	368	190	65	140	18	69	24	85	542	525	547	133	35	669	605	991
280S	4,6	280	457	368	190	75	140	20	79.5	24	85	542	525	547	133	35	669	605	991
280M	2	280	457	419	190	65	140	18	69	24	85	542	581	547	133	35	669	605	1047
280M	4,6	280	457	419	190	75	140	20	79.5	24	85	542	581	547	133	35	669	605	1047

#### TYPE YD - LOW VOLTAGE (380V) - Cast Iron Frame



\*This table is confirm on the main dimension in mm \*Special accessory parts can be assembled by customer order  
 \*In special application these dimension can be changed by customer order



### Engineered Bearings Type YD

#### Properties Table

Low Voltage (380V), Squirrel Cage Motors

لیست قیمت: ۰۲۱۸۸۲۸۰۰۷۷

ptco@parstehran.ir | www.parsTehran.ir

Frame Size	Poles	RPM	Drive End Bearing	Non-Drive end Bearing	AMB.TEMP (C°)	OPER.TIME (h)	QUANTITY (gr)	GREASE TYPE
160	2	3000	6309C3	6309C3	25°	4400	12	K3N DIN 51825
	4	1500			40°	2200		
180	2	3000	6311C3	6311C3	25°	3400	17	
	4	1500			40°	1700		
	6	1000			25°	7200		
		1000			40°	3600		
200	2	3000	6312C3	6312C3	25°	3000	20	
	4	1500			40°	1500		
	6	1000			25°	6700		
		1000			40°	3400		
225	2	3000	6313C3	6313C3	25°	2700	23	
	4	1500			40°	1300		
	6	1000			25°	6300		
		1000			40°	3200		
250	2	3000	6314C3	6314C3	25°	2300	26	
	4	1500			40°	1200		
	6	1000			25°	5900		
		1000			40°	3000		
280	2	3000	6314C3	6314C3	25°	2300	26	
	4	1500	6317C3	6317C3	40°	1200		
	6	1000			25°	4900	37	
		1000	40°	2500				
					25°	7100		
					40°	3600		

