

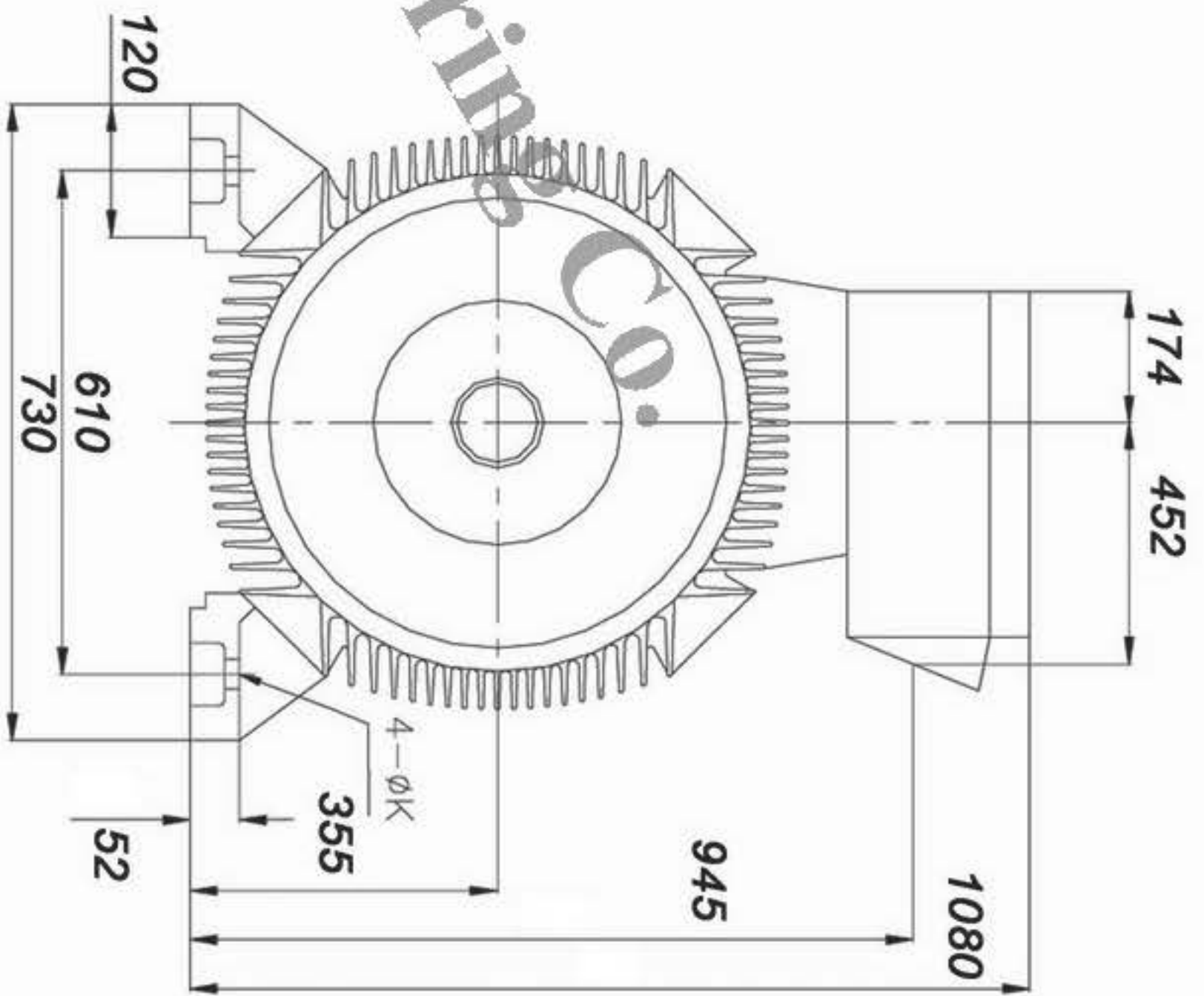
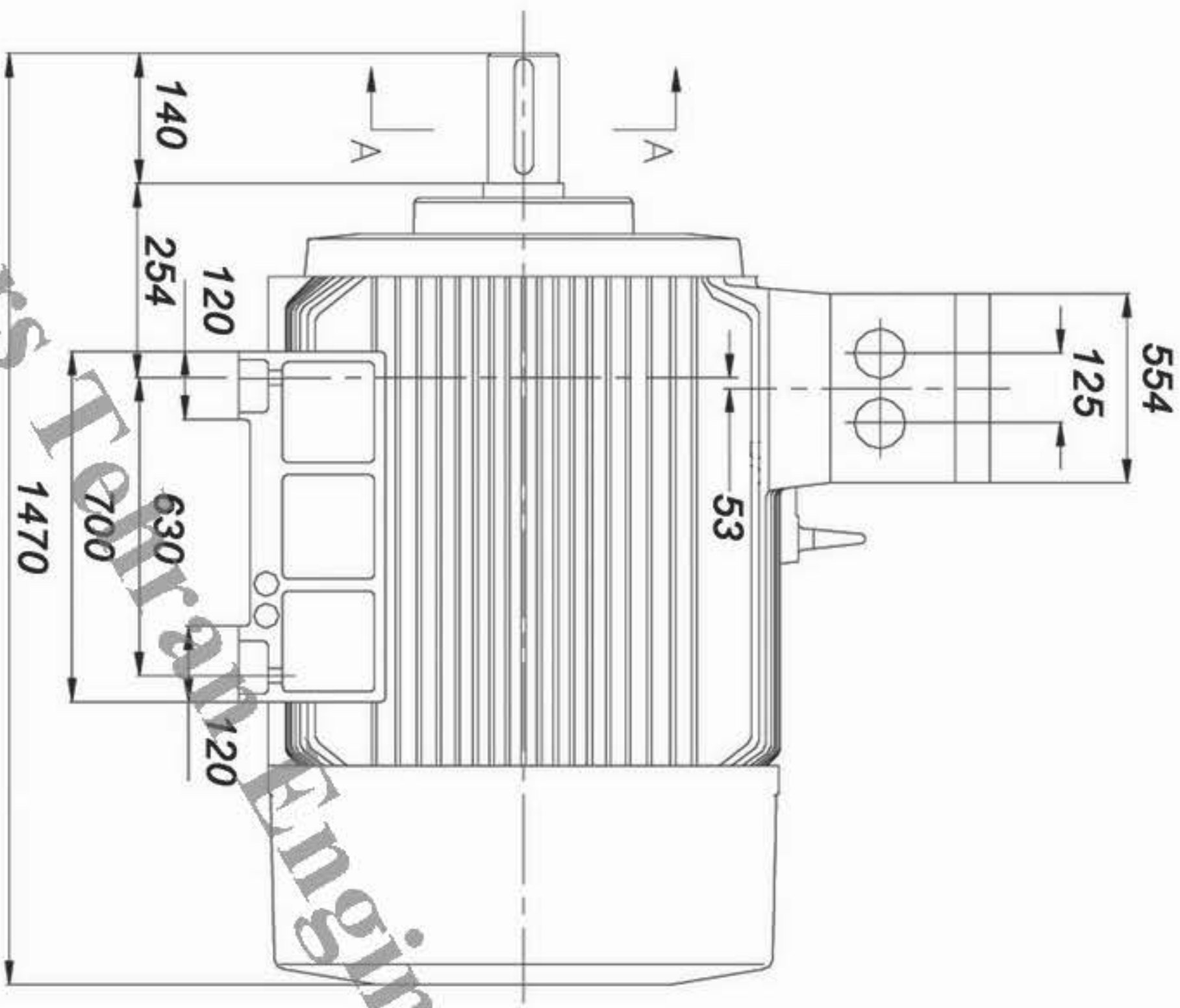
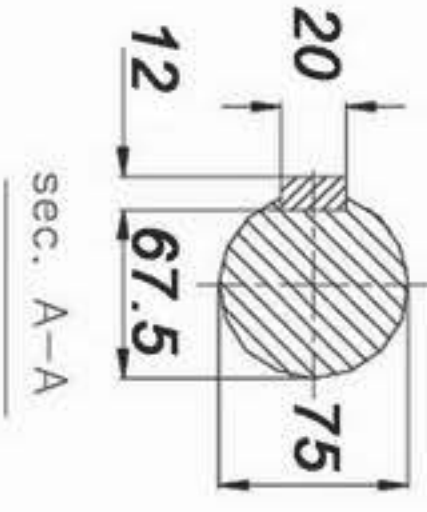


DATA SHEET JEMCO



Subject: Low voltage squirrel cage induction motors

Customer			Manufacturer Jemco		
Motor Type		YU1354-2A0		Average sound pressure level	No load <input type="checkbox"/> load <input type="checkbox"/>
Frame Size	355L	Number of poles	2		
Mounting design	B3	Type of encloser	IP-55	Direction of rotation <input type="checkbox"/> both <input type="checkbox"/> CW <input type="checkbox"/> CCW <input type="checkbox"/>	
EX-Protective system			Bearing DE/NDE 6208-2z/6208-2z		
Duty type	S1	Starting		Lubrication	
Ambient Temperture		55 C		Type of lubrication	
Thermal classification	F	Tempertur rise	B	Relubrication	
Term motor protection			outline dimation drawing No.		
Retad output		315 KW		Location of Terminal Box	
rated voltage		380V		Number of terminals	
connection		DELTA		Cable entry thread	
Ferquency	50 HZ.	speed	2978 rpm	Net weight approx. 1650 Kg	
Rated current		540 A		Test	
Starting Current		(I _A /I _N) 7		Additional data and remarks: 1- Bearing Brand European :SKF,FAG	
Power Factor	4/4	3/4	1/2		
	0.89				
Efficiency	4/4	3/4	1/2		
	95.2%				
Rated torque		(M _N) 1010 Nm			
starting torque		(M _A /M _N)=			
Break-down torque		(M _K /M _N)= 2%			
Rotor class					
Rotor voltage		Rotor current			
Moment of inertia		8.25 Kgm ²			
Torque characteristic					
Attachments					
	Date	Name	Tolerances acc. To		NO.
Designed					
checked					



PARS TEHRAN ENG. CO.
PTCO

	Offer No.:
Power: 315Kw	Project:
Date:	Code: YU1354-2A0
Unit: mm	Frame: 355L
JEMCO	