

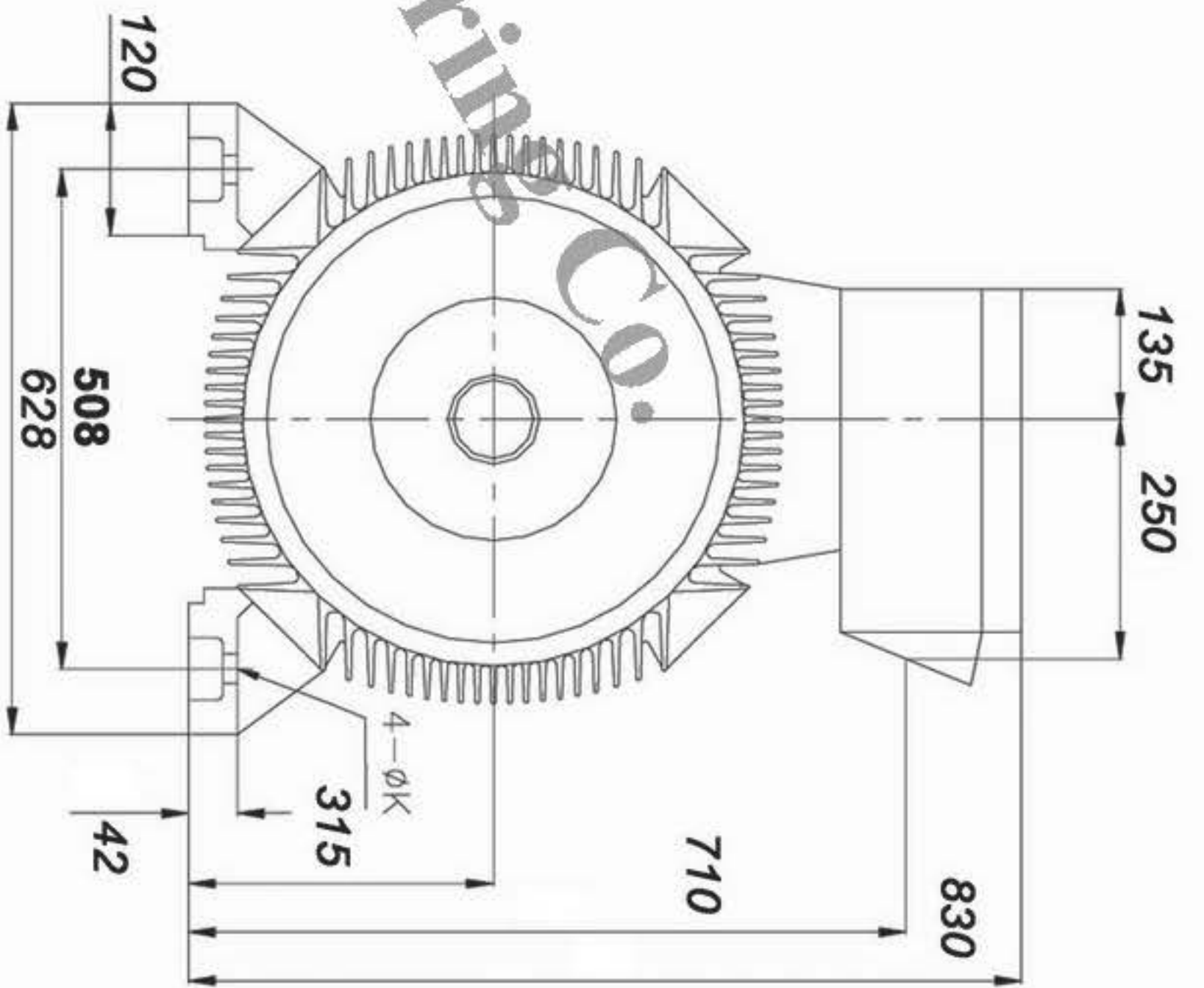
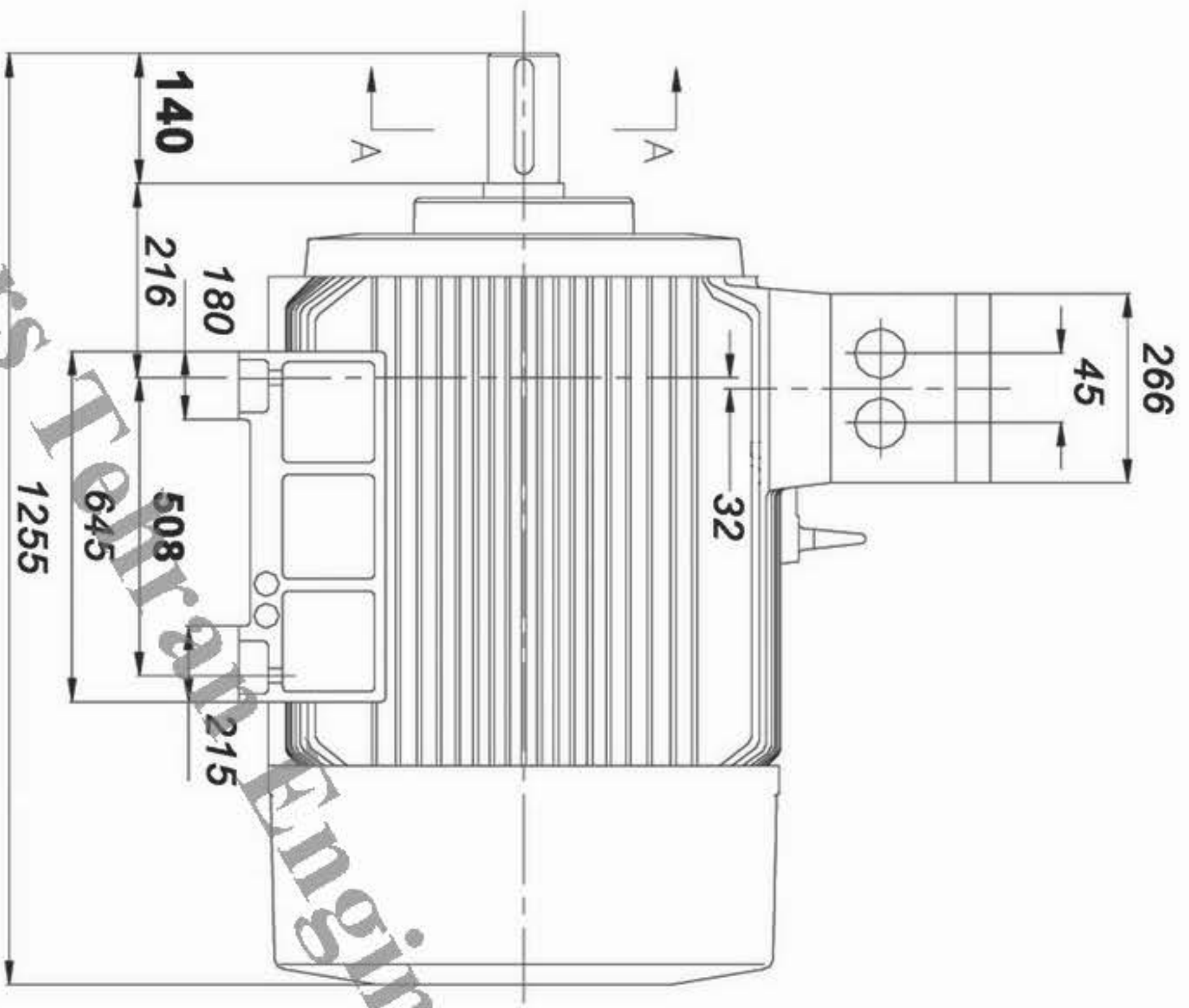
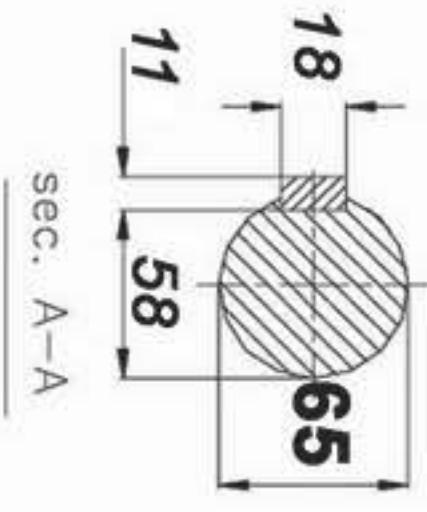


DATA SHEET JEMCO



Subject: Low voltage squirrel cage induction motors

Customer			Manufacturer Jemco								
Motor Type YU1315-2A0		Average sound pressure level		No load		load					
Frame Size 315L	Number of poles 2										
Mounting design B3	Type of encloser IP-55	Direction of rotation both <input type="checkbox"/> CW <input type="checkbox"/> CCW <input type="checkbox"/>									
EX-Protective system			Bearing DE/NDE 6208-2z/6208-2z								
Duty type S1	Starting		Lubrication								
Ambient Temperture 55 C		Type of lubrication									
Thermal classification F	Tempertur rise B		Relubrication								
Term motor protection			outline dimation drawing No.								
Retad output 200 KW			Location of Terminal Box								
rated voltage 380V		Number of terminals									
connection DELTA		Cable entry thread									
Ferquency 50 HZ.	speed 2967 rpm	Net weight approx. 1310 Kg									
Rated current 346 A		Test									
Starting Current (I_A/I_N)		7		Additional data and remarks: 1- Bearing Brand European :SKF,FAG							
Power Factor		4/4						3/4		1/2	
		0.89									
Efficiency		4/4						3/4		1/2	
		93.7%									
Rated torque (M_N)		644 Nm									
starting torque (M_A/M_N)=											
Break-down torque (M_k/M_N)=		2%									
Rotor class											
Rotor voltage			Rotor current								
Moment of inertia 2.50 Kgm²											
Torque characteristic											
Attachments											
Date		Name		Tolerances acc. To		NO.					
Designed											
checked											



PARS TEHRAN ENG. CO.
PTCO

	Offer No.:
Power: 200Kw	Project:
Date:	Code: YU1315-2A0
Unit: mm	Frame: 315L
JEMCO	