

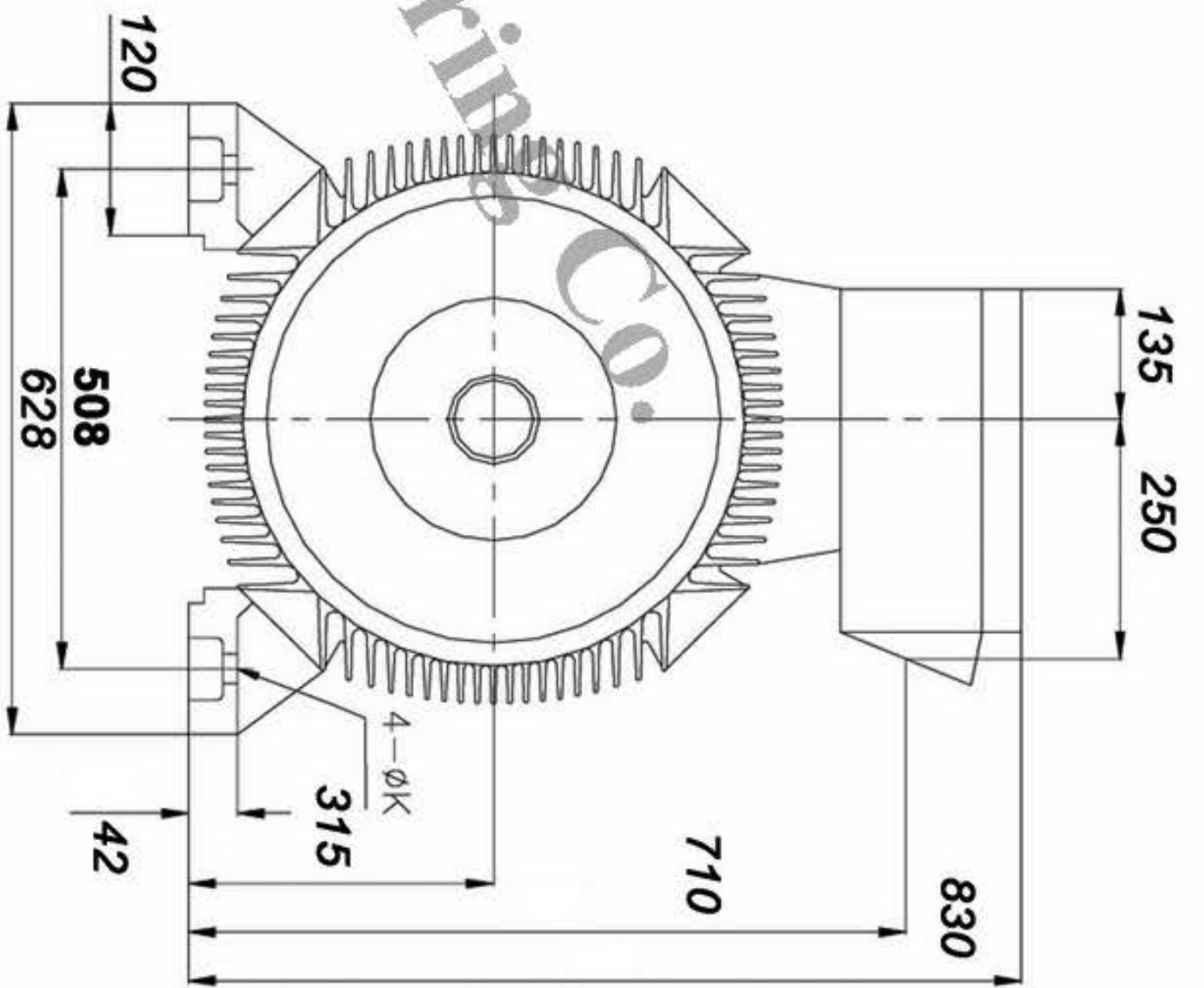
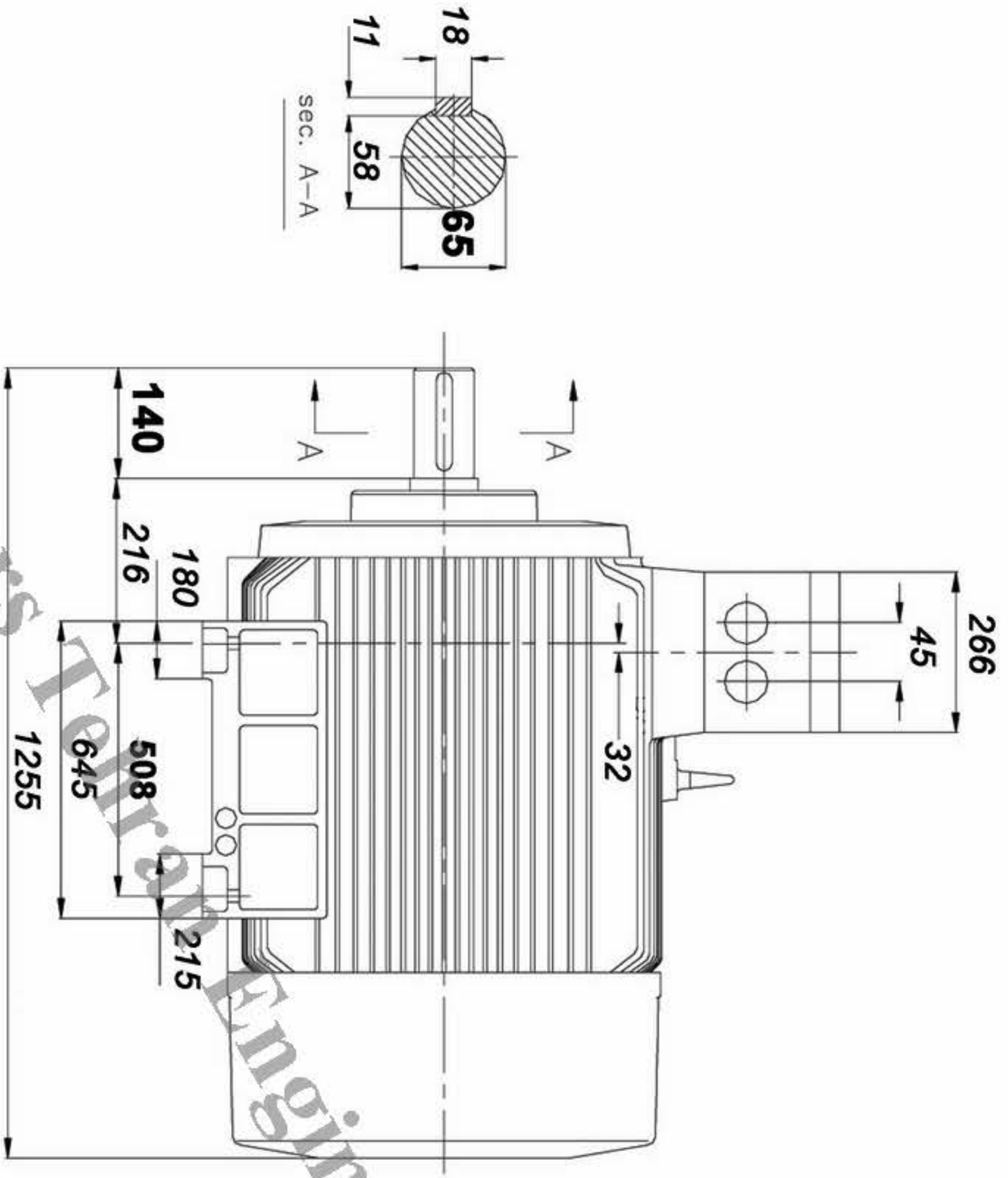


# DATA SHEET JEMCO



## Subject: Low voltage squirrel cage induction motors

Customer			Manufacturer <span style="float: right;">Jemco</span>					
Motor Type <span style="float: right;">YU1314-2A0</span>		Average sound pressure level		No load	load			
Frame Size <span style="float: right;">315L</span>	Number of poles <span style="float: right;">2</span>							
Mounting design <span style="float: right;">B3</span>	Type of encloser <span style="float: right;">IP-55</span>	Direction of rotation <span style="float: right;">both <input type="checkbox"/> CW <input type="checkbox"/> CCW <input type="checkbox"/></span>						
EX-Protective system			Bearing DE/NDE <span style="float: right;">6208-2z/6208-2z</span>					
Duty type <span style="float: right;">S1</span>	Starting		Lubrication					
Ambient Temperture <span style="float: right;">55 C</span>		Type of lubrication						
Thermal classification <span style="float: right;">F</span>	Tempertur rise <span style="float: right;">B</span>		Relubrication					
Term motor protection		outline dimation drawing No.						
Retad output <span style="float: right;">185 KW</span>			Location of Terminal Box					
rated voltage <span style="float: right;">380V</span>		Number of terminals						
connection <span style="float: right;">DELTA</span>		Cable entry thread						
Ferquency <span style="float: right;">50 HZ.</span>	speed <span style="float: right;">2967 rpm</span>	Net weight approx. <span style="float: right;">1310 Kg</span>						
Rated current <span style="float: right;">372 A</span>		Test						
Starting Current <span style="float: right;">(I<sub>A</sub>/I<sub>N</sub>) 7</span>		Additional data and remarks: 1- Bearing Brand European :SKF,FAG						
Power Factor						<span style="float: right;">4/4</span>	<span style="float: right;">3/4</span>	<span style="float: right;">1/2</span>
Efficiency						<span style="float: right;">0.89</span>	<span style="float: right;">4/4</span>	<span style="float: right;">3/4</span>
Rated torque <span style="float: right;">(M<sub>N</sub>) 644 Nm</span>								
starting torque <span style="float: right;">(M<sub>A</sub>/M<sub>N</sub>)=</span>								
Break-down torque <span style="float: right;">(M<sub>k</sub>/M<sub>N</sub>)= 2%</span>								
Rotor class								
Rotor voltage		Rotor current						
Moment of inertia <span style="float: right;">2.50 Kgm<sup>2</sup></span>								
Torque characteristic								
Attachments								
	Date	Name	Tolerances acc. To		NO.			
Designed								
checked								



**PARS TEHRAN ENG. CO.**  
PTCO

Offer No.:	
Project:	
Power:	185Kw
Date:	
Unit:	mm
Code:	YU1314-2A0
Frame:	315L
<b>JEMCO</b>	