

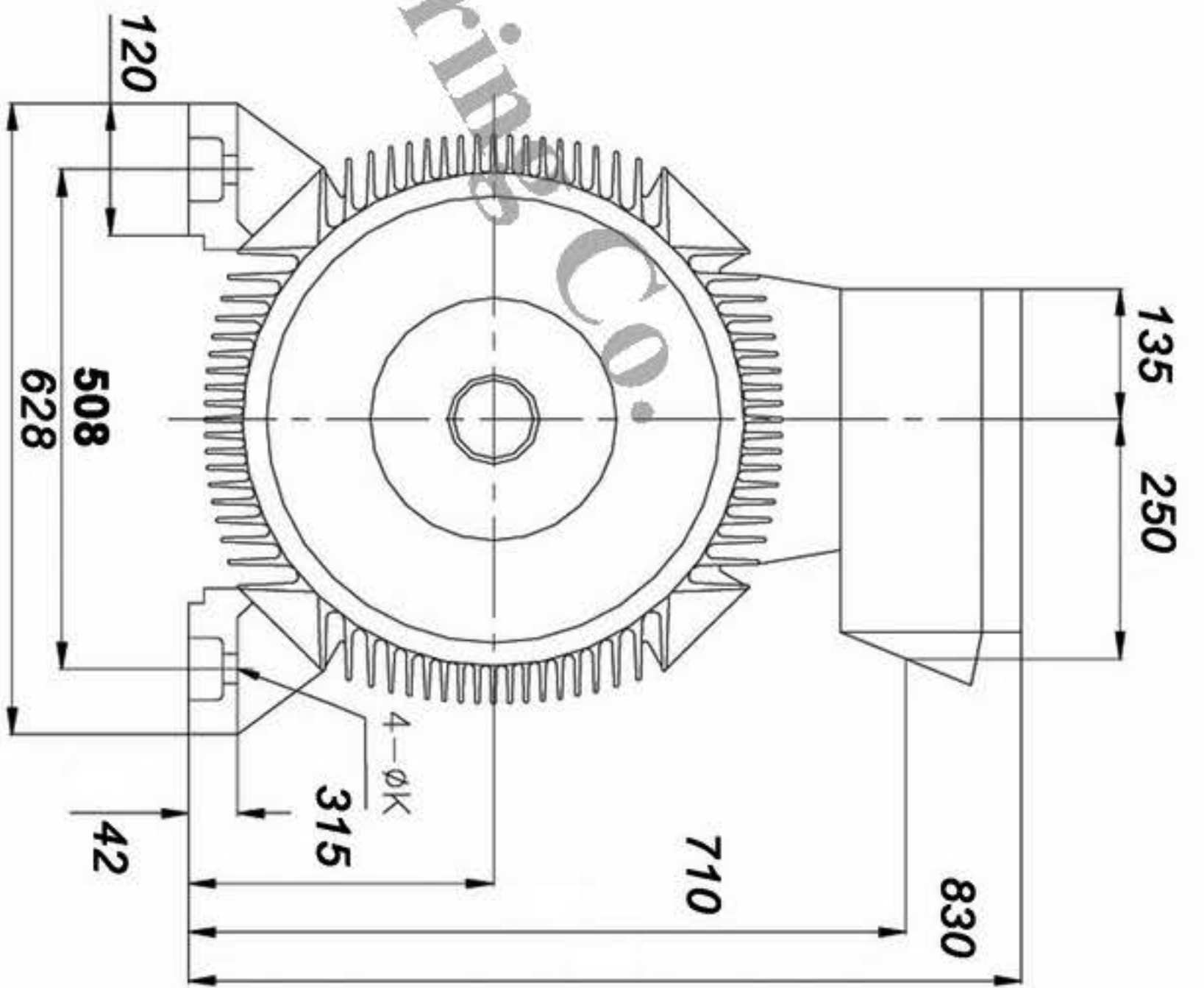
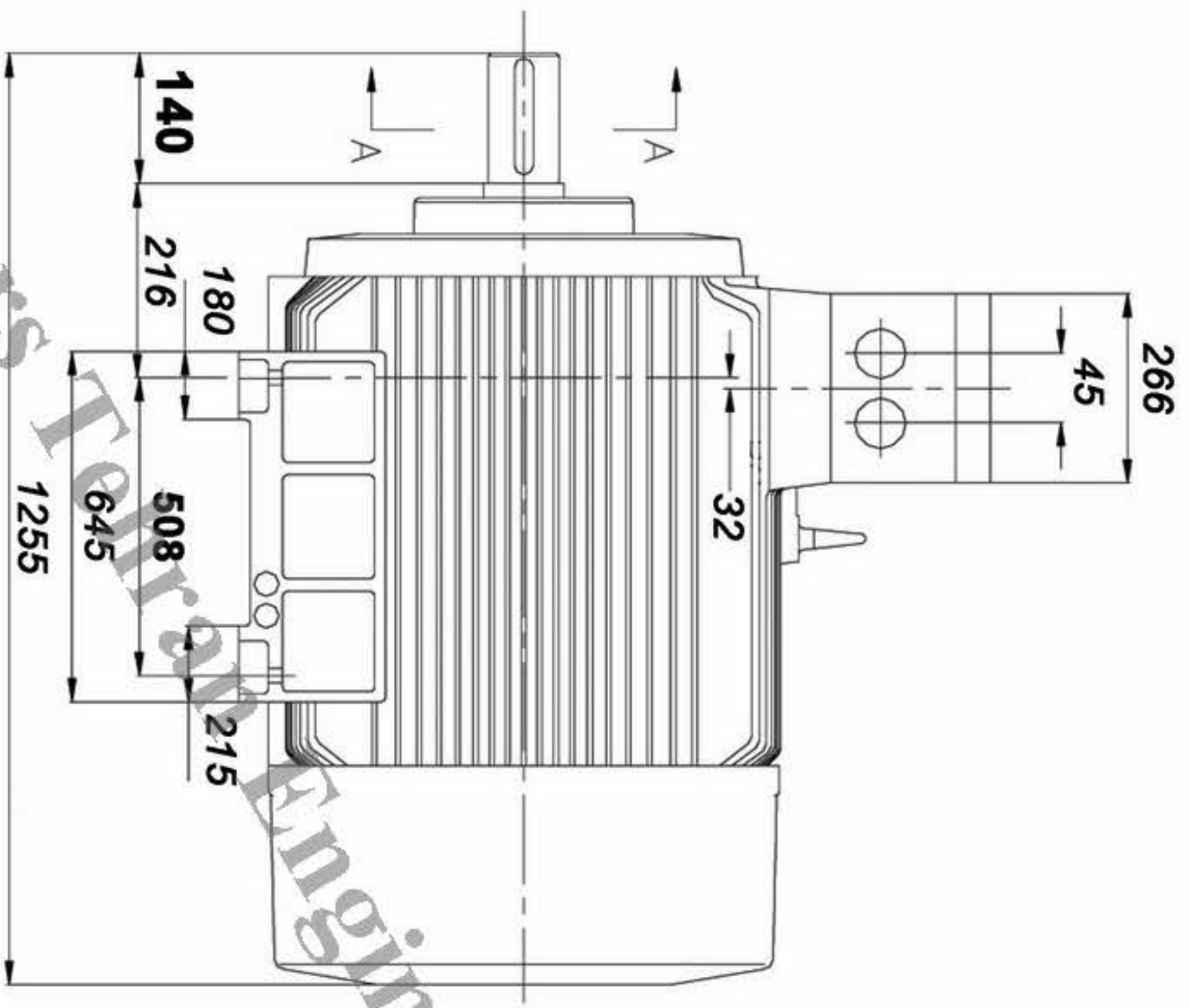
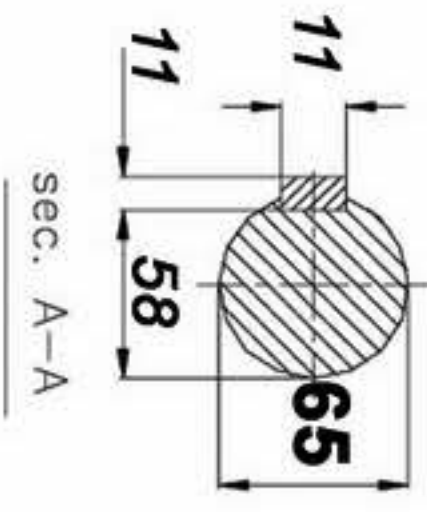


DATA SHEET JEMCO




Subject: Low voltage squirrel cage induction motors

Customer			Manufacturer Jemco					
Motor Type YU1313-2A0		Average sound pressure level		No load	load			
Frame Size 315L	Number of poles 2							
Mounting design B3	Type of encloser IP-55	Direction of rotation both <input type="checkbox"/> CW <input type="checkbox"/> CCW <input type="checkbox"/>						
EX-Protective system		Bearing DE/NDE 6208-2z/6208-2z						
Duty type S1	Starting	Lubrication						
Ambient Temperture	55 C	Type of lubrication						
Thermal classification F	Tempertur rise B	Relubrication						
Term motor protection		outline dimation drawing No.						
Retad output 160 KW	Location of Terminal Box							
rated voltage 380V	Number of terminals							
connection DELTA	Cable entry thread							
Ferquency 50 HZ.	speed 2964 rpm	Net weight approx. 1260 Kg						
Rated current 277 A	Test							
Starting Current (I_A/I_N) 7	Additional data and remarks: 1- Bearing Brand European :SKF,FAG							
Power Factor						4/4 0.89	3/4	1/2
Efficiency						4/4 93.5%	3/4	1/2
Rated torque (M_N) 515 Nm								
starting torque (M_A/M_N)=								
Break-down torque (M_k/M_N)= 2%								
Rotor class								
Rotor voltage	Rotor current							
Moment of inertia 2.25 Kgm²								
Torque characteristic								
Attachments								
	Date	Name	Tolerances acc. To		NO.			
Designed								
checked								



PARS TEHRAN ENG. CO.
PTCO

	Offer No.:
Power: 160Kw	Project:
Date:	Code: YU1313-2A0
Unit: mm	Frame: 315L
JEMCO	