

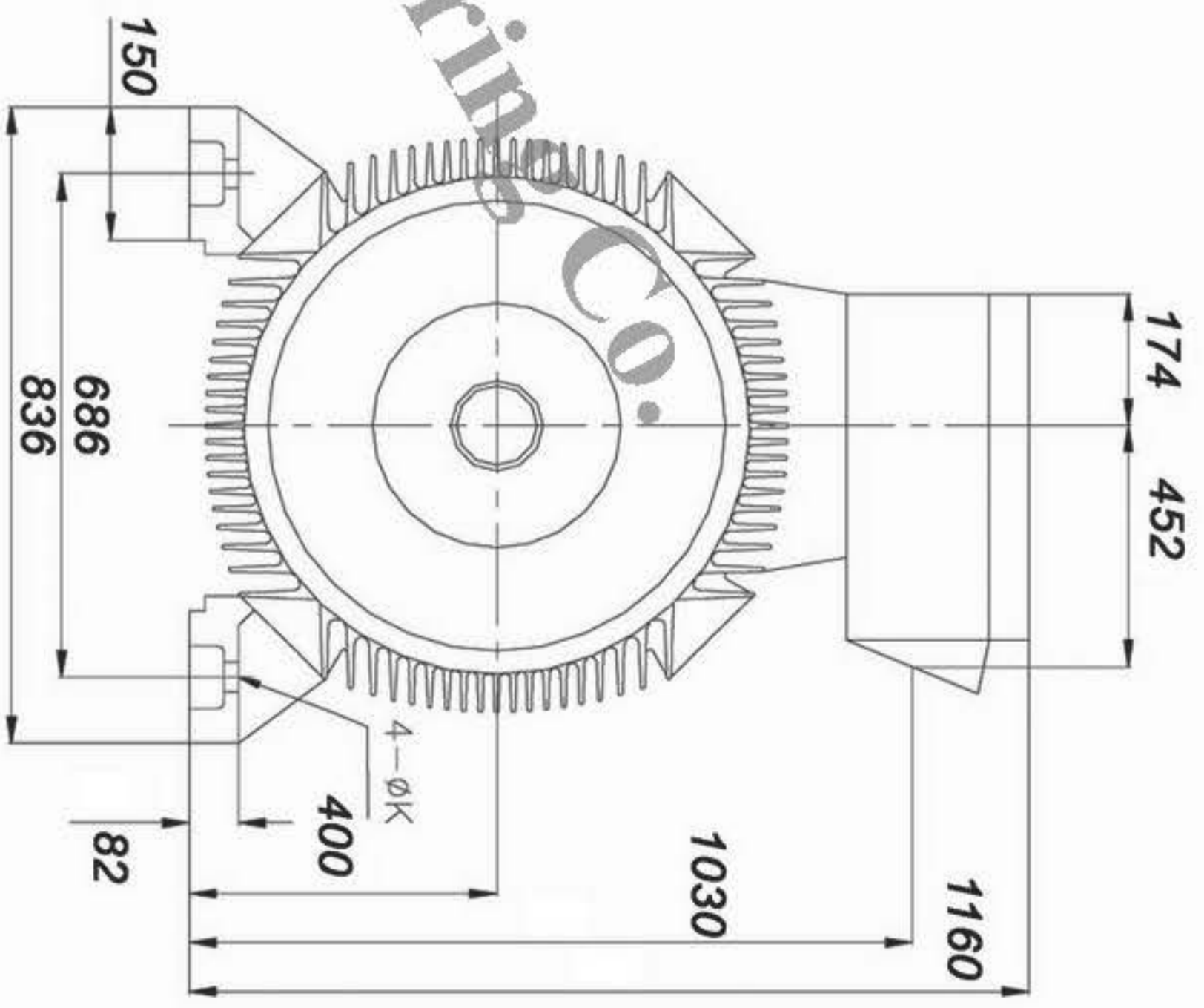
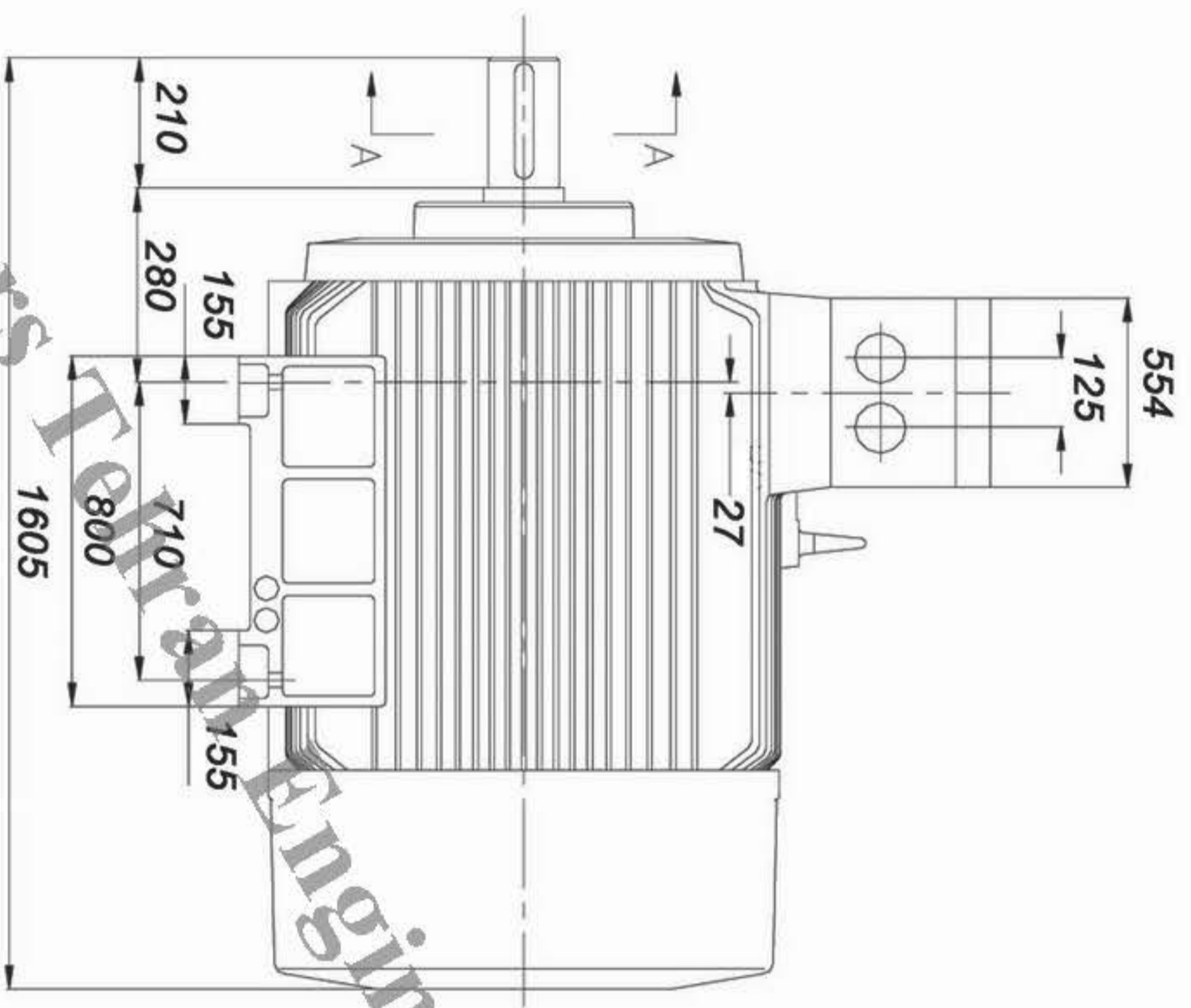
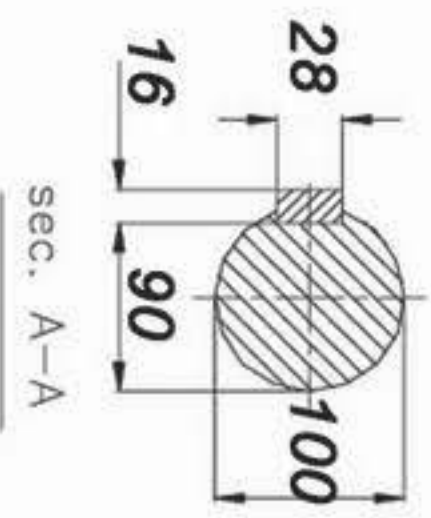


DATA SHEET JEMCO



Subject: Low voltage squirrel cage induction motors

Customer			Manufacturer Jemco		
Motor Type		YU1402-4A0		Average sound pressure level	No load <input type="checkbox"/> load <input type="checkbox"/>
Frame Size	400L	Number of poles	4		
Mounting design	B3	Type of encloser	IP-55	Direction of rotation <input type="checkbox"/> both <input type="checkbox"/> CW <input type="checkbox"/> CCW <input type="checkbox"/>	
EX-Protective system			Bearing DE/NDE 6208-2z/6208-2z		
Duty type	S1	Starting		Lubrication	
Ambient Temperture		55 C		Type of lubrication	
Thermal classification	F	Tempertur rise	B	Relubrication	
Term motor protection			outline dimention drawing No.		
Retad output		400 KW		Location of Terminal Box	
rated voltage		380V		Number of terminals	
connection		DELTA		Cable entry thread	
Ferquency	50 HZ.	speed	1487 rpm	Net weight approx. 2430 Kg	
Rated current		690 A		Test	
Starting Current		(I _A /I _N) 7		Additional data and remarks: 1- Bearing Brand European :SKF,FAG	
Power Factor	4/4	3/4	1/2		
	0.89				
Efficiency	4/4	3/4	1/2		
	95.6%				
Rated torque		(M _N) 2569 Nm			
starting torque		(M _A /M _N)=			
Break-down torque		(M _K /M _N)= 2%			
Rotor class					
Rotor voltage		Rotor current			
Moment of inertia		16.25 Kgm ²			
Torque characteristic					
Attachments					
	Date	Name	Tolerances acc. To		NO.
Designed					
checked					



PARS TEHRAN ENGINEERING CO.



PARS TEHRAN ENG. CO.
PTCO

Offer No.:	
Project:	
Power: 400Kw	
Date:	
Unit: mm	
Code:	YU1402-4A0
Frame:	400L
JEMCO	