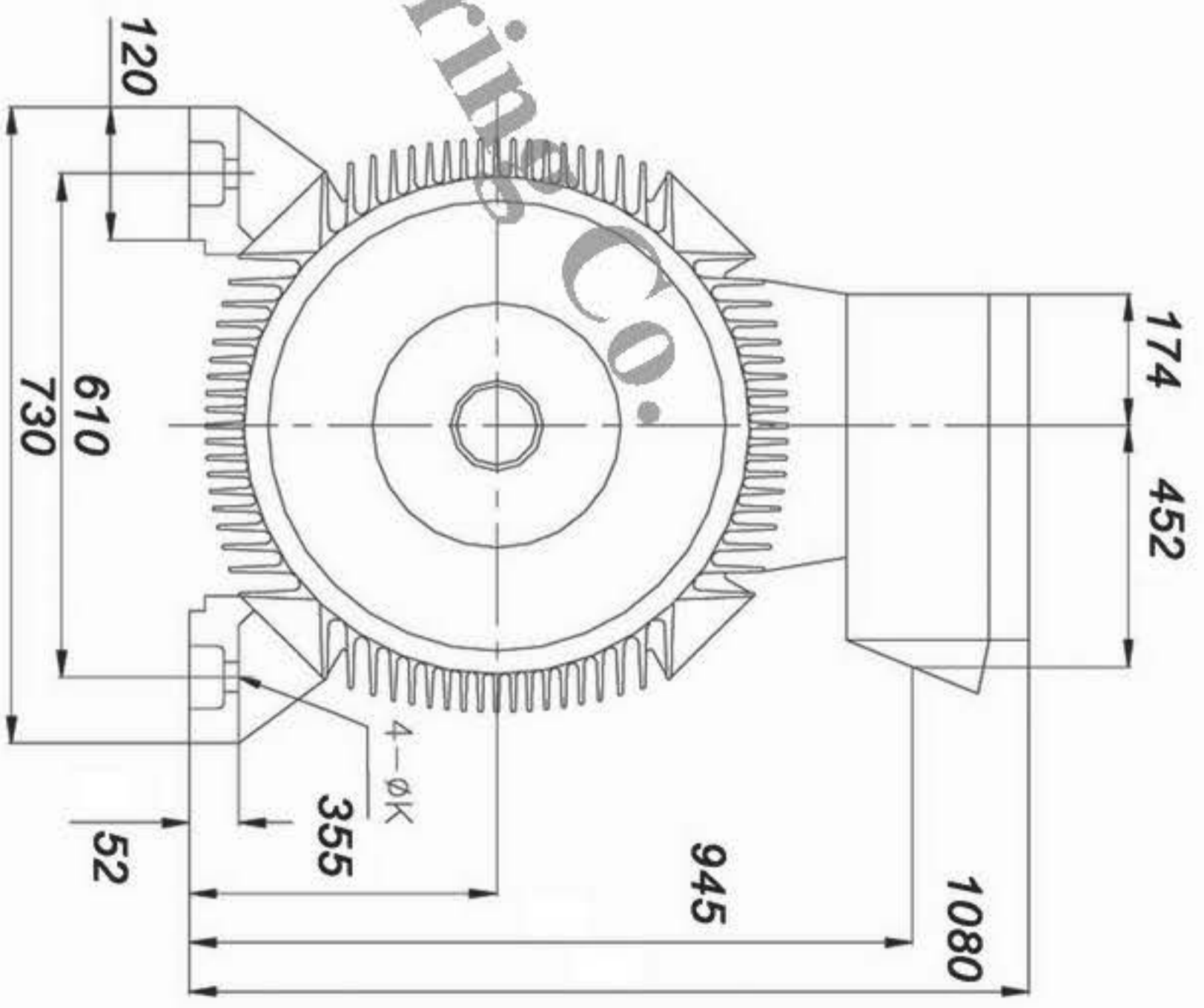
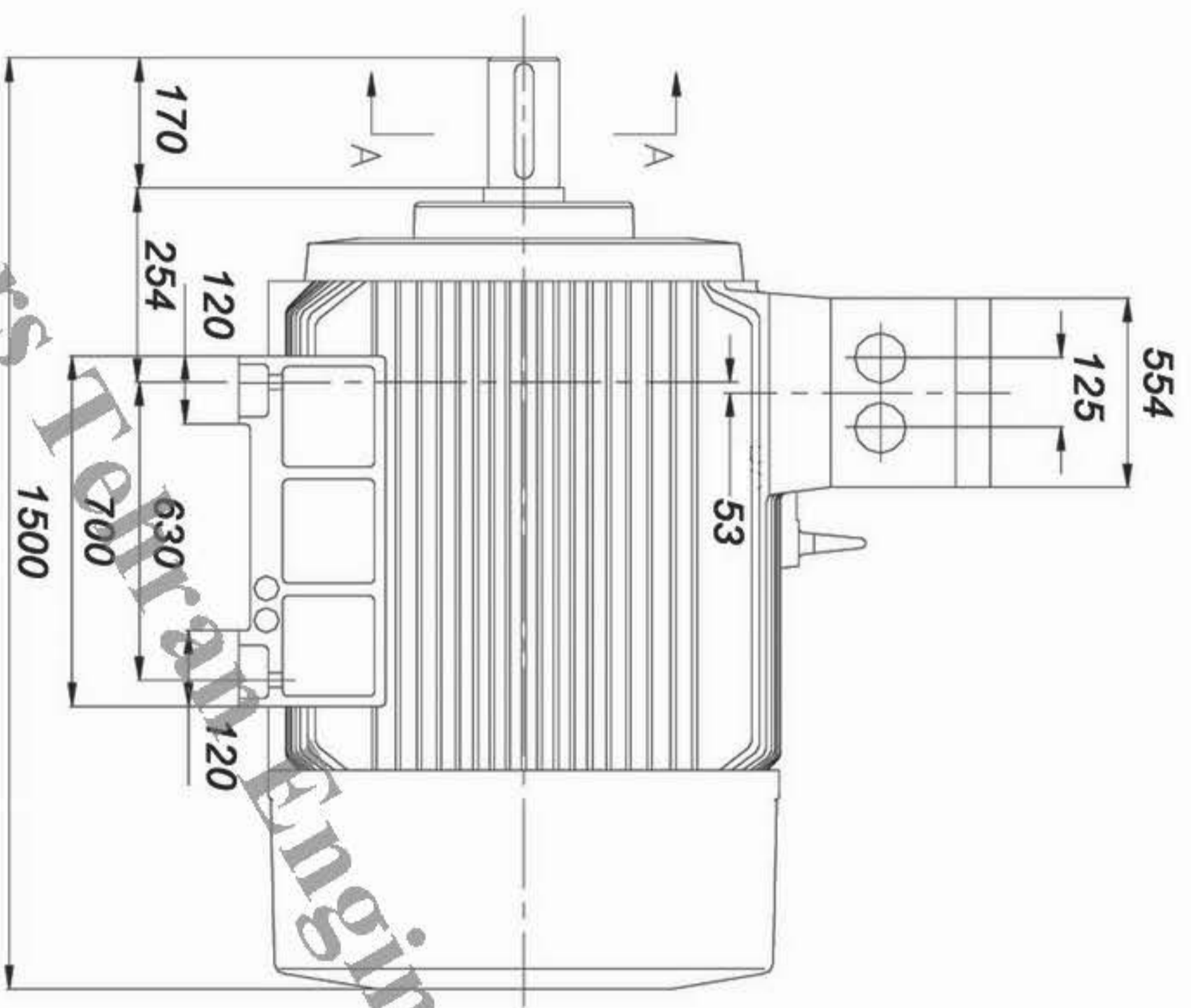
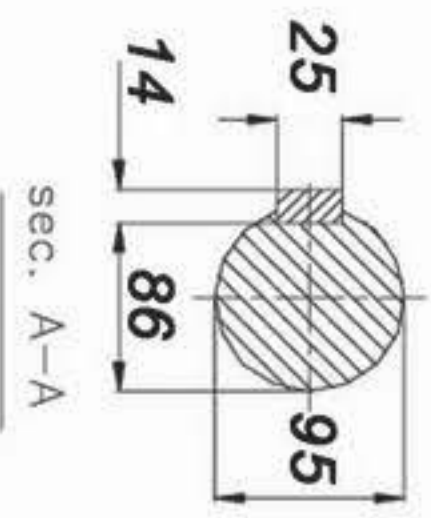




DATA SHEET

Subject: Low voltage squirrel cage induction motors

Customer			Manufacturer JEMCO			
Motor Type		YU1354-4A0		Average sound pressure level	No load	load
Frame Size	355L	Number of poles	4			
Mounting design	B3	Type of encloser	IP-55	Direction of rotation both <input type="checkbox"/> CW <input type="checkbox"/> CCW <input type="checkbox"/>		
EX-Protective system			Bearing DE/NDE 6208-2z/6208-2z			
Duty type	S1	Starting		Lubrication		
Ambient Temperture		55 C		Type of lubrication		
Thermal classification		F	Tempertur rise	B	Relubrication	
Term motor protection			outline dimation drawing No.			
Retad output		315 KW		Location of Terminal Box		
rated voltage		380V		Number of terminals		
connection		DELTA		Cable entry thread		
Ferquency	50 HZ.	speed	1484 rpm	Net weight approx. 1800 Kg		
Rated current		557 A		Test		
Starting Current		(I _A /I _N) 7		Additional data and remarks: 1- Bearing Brand European :SKF,FAG		
Power Factor	4/4	3/4	1/2			
	0.9					
Efficiency	4/4	3/4	1/2			
	95.4%					
Rated torque		(M _N) 2027 Nm				
starting torque		(M _A /M _N)=				
Break-down torque		(M _K /M _N)= 2%				
Rotor class						
Rotor voltage		Rotor current				
Moment of inertia		8.25 Kgm ²				
Torque characteristic						
Attachments						
	Date	Name	Tolerances acc. To		NO.	
Designed						
checked						



PARS TEHRAN ENG. CO.
PTCO

Offer No.:	
Project:	
Power: 315Kw	
Date:	
Unit: mm	
Code:	YU1354-4A0
Frame:	355L
JEMCO	