

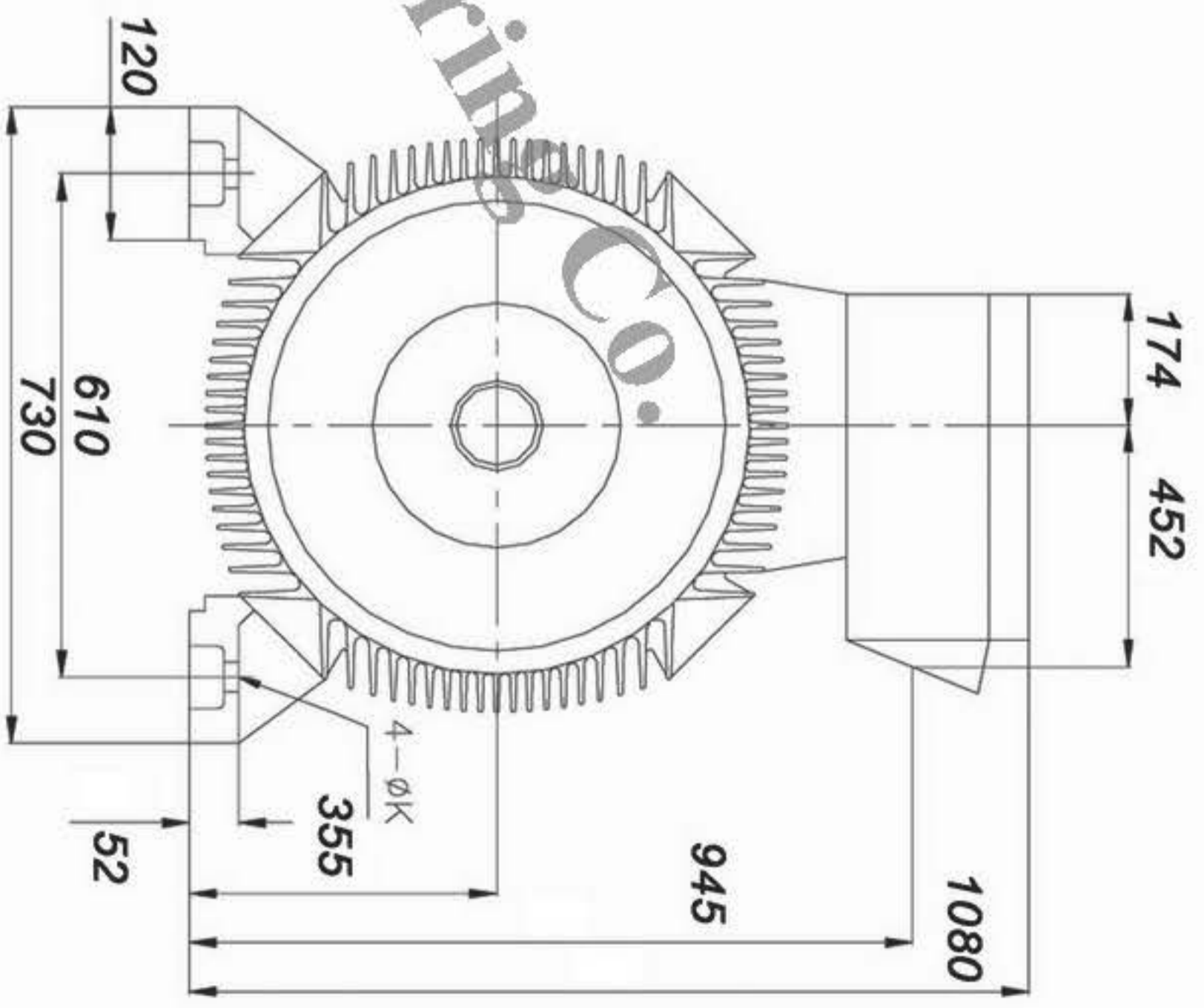
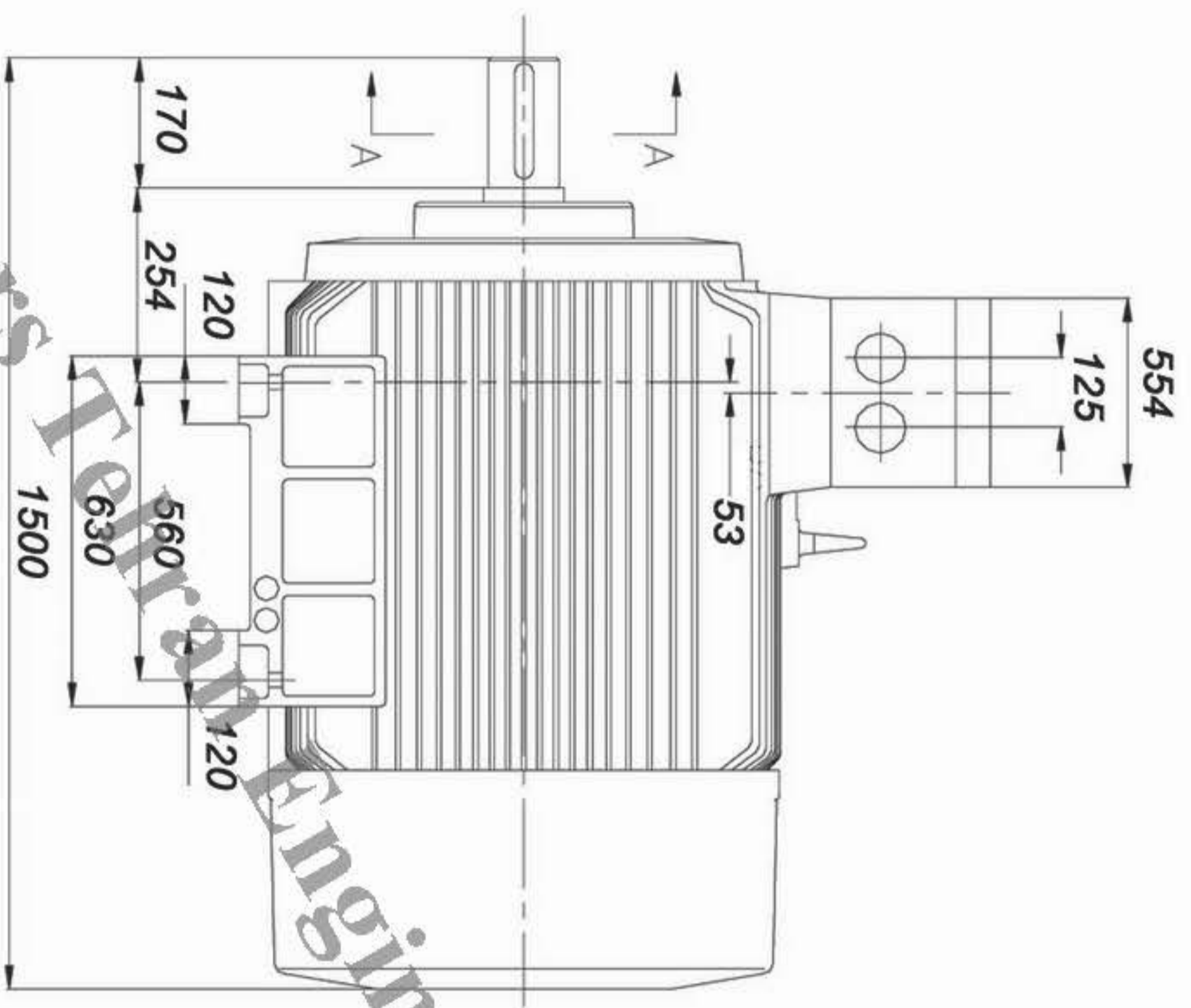
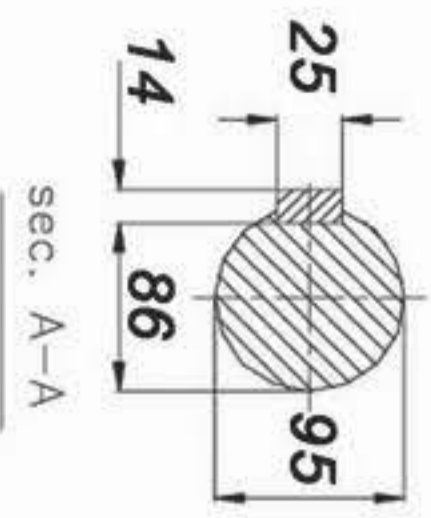


DATA SHEET JEMCO




Subject: Low voltage squirrel cage induction motors

Customer			Manufacturer Jemco		
Motor Type YU1352-4A0		Average sound pressure level		No load	load
Frame Size 355M	Number of poles 4				
Mounting design B3	Type of encloser IP-55	Direction of rotation both <input type="checkbox"/> CW <input type="checkbox"/> CCW <input type="checkbox"/>			
EX-Protective system		Bearing DE/NDE 6208-2z/6208-2z			
Duty type S1	Starting	Lubrication			
Ambient Temperture	55 C		Type of lubrication		
Thermal classification F	Tempertur rise	B		Relubrication	
Term motor protection		outline dimation drawing No.			
Retad output 250 KW		Location of Terminal Box			
rated voltage	380V		Number of terminals		
connection DELTA	Cable entry thread				
Ferquency 50 HZ.	speed 1480 rpm	Net weight approx. 1720 Kg			
Rated current 453 A		Test			
Starting Current (I _A /I _N) 7		Additional data and remarks:			
Power Factor	4/4	3/4	1/2		
	0.87				
Efficiency	4/4	3/4	1/2		
	94.9%				
Rated torque (M _N) 1613 Nm					
starting torque (M _A /M _N)=					
Break-down torque (M _K /M _N)= 2%					
Rotor class					
Rotor voltage		Rotor current			
Moment of inertia 6.75 Kgm ²					
Torque characteristic					
Attachments					
	Date	Name	Tolerances acc. To		NO.
Designed					
checked					



PARS TEHRAN ENG. CO.
PTCO

PARS TEHRAN ENGINEERING CO.

	Offer No.:
Power: 250Kw	Project:
Date:	Code: YU1352-4A0
Unit: mm	Frame: 355M
JEMCO	