

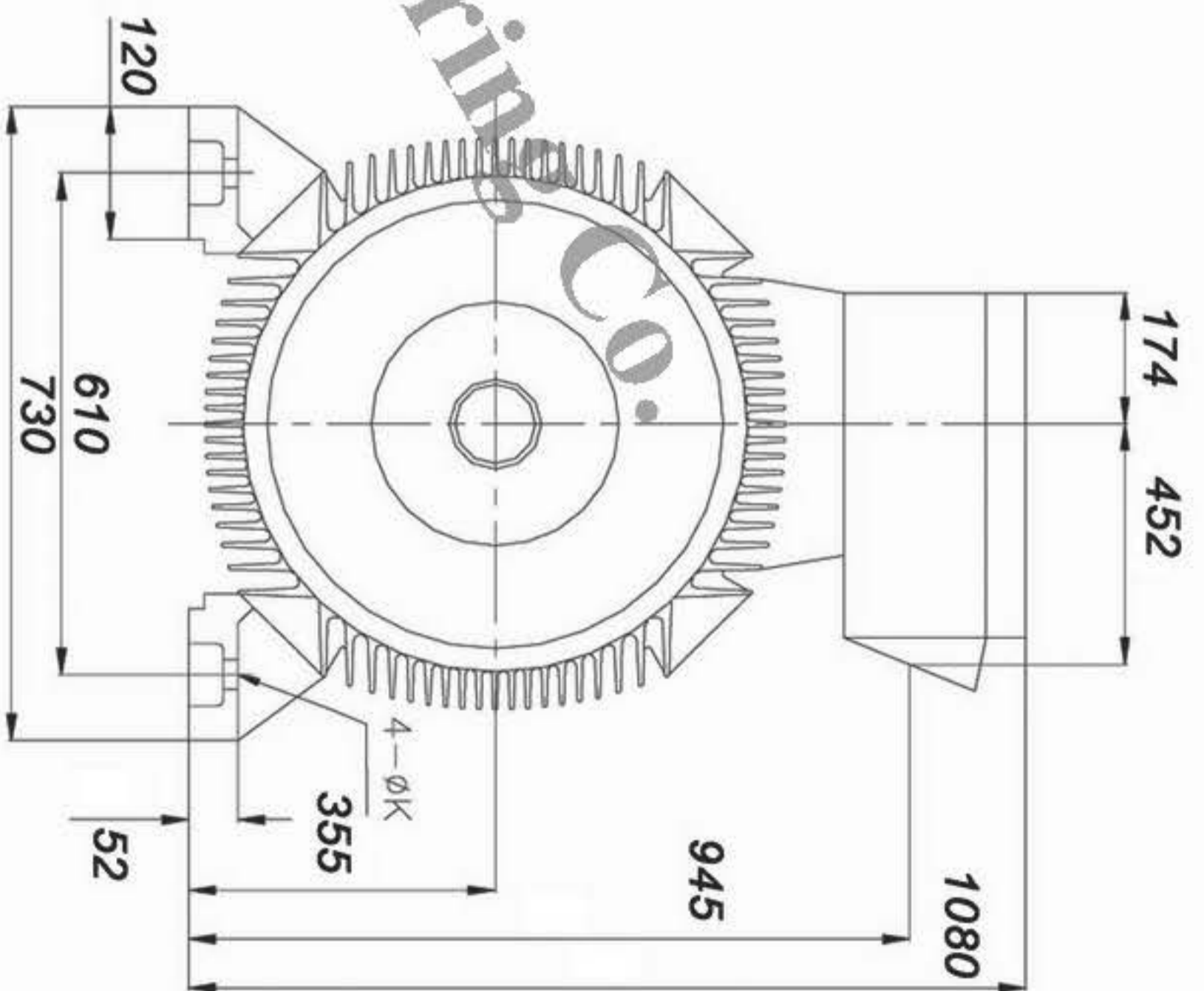
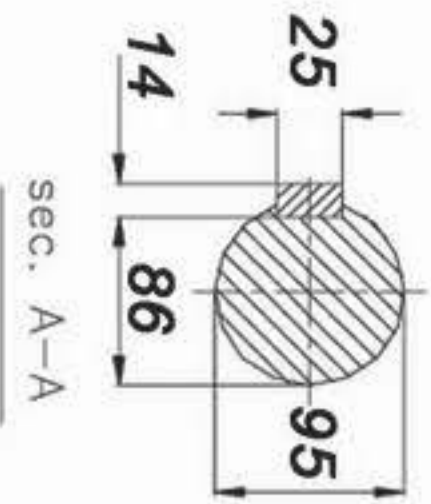
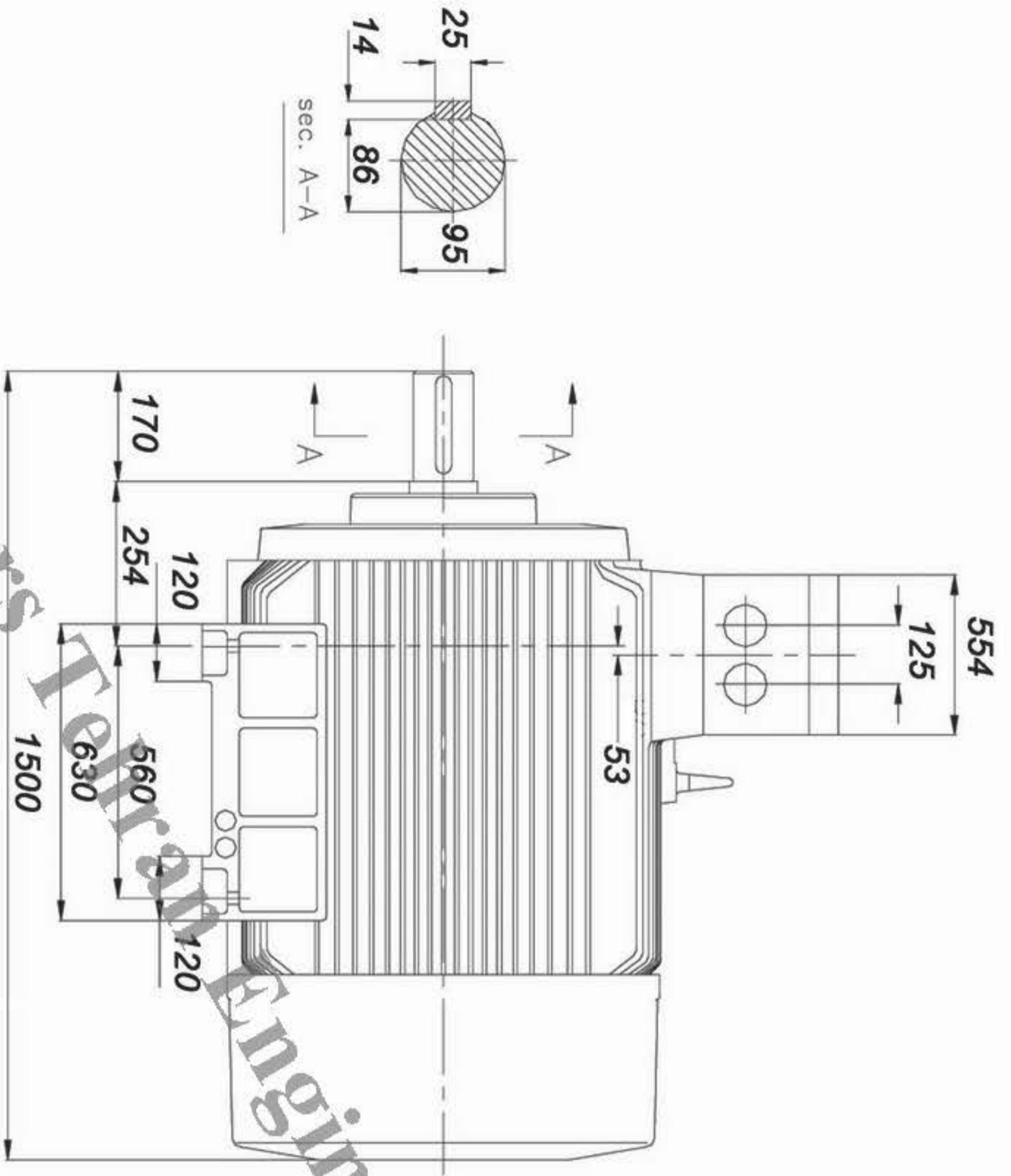


DATA SHEET JEMCO



Subject: Low voltage squirrel cage induction motors

Customer			Manufacturer Jemco		
Motor Type		YU1351-4A0		Average sound pressure level	No load <input type="checkbox"/> load <input type="checkbox"/>
Frame Size	355M	Number of poles	4		
Mounting design	B3	Type of encloser	IP-55	Direction of rotation <input type="checkbox"/> both <input type="checkbox"/> CW <input type="checkbox"/> CCW <input type="checkbox"/>	
EX-Protective system			Bearing DE/NDE 6208-2z/6208-2z		
Duty type	S1	Starting		Lubrication	
Ambient Temperture		55 C		Type of lubrication	
Thermal classification		F	Tempertur rise	B	Relubrication
Term motor protection			outline dimention drawing No.		
Retad output			220 KW		Location of Terminal Box
rated voltage		380V		Number of terminals	
connection		DELTA		Cable entry thread	
Ferquency	50 HZ.	speed	1480 rpm	Net weight approx. 1680 Kg	
Rated current			400 A		Test
Starting Current		(I _A /I _N)		7	
Power Factor	4/4	3/4	1/2	Additional data and remarks: 1- Bearing Brand European :SKF,FAG	
	0.87				
Efficiency	4/4	3/4	1/2		
	94.5%				
Rated torque		(M _N)		1419 Nm	
starting torque		(M _A /M _N)=			
Break-down torque		(M _K /M _N)= 2%			
Rotor class					
Rotor voltage		Rotor current			
Moment of inertia			6.00 Kgm ²		
Torque characteristic					
Attachments					
	Date	Name	Tolerances acc. To		NO.
Designed					
checked					



PARS TEHRAN ENG. CO.
PTCO



Power: 220Kw

Date:

Unit: mm

Offer No.:

Project:

Code: YU1351-4A0

JEMCO

Frame: 355M