

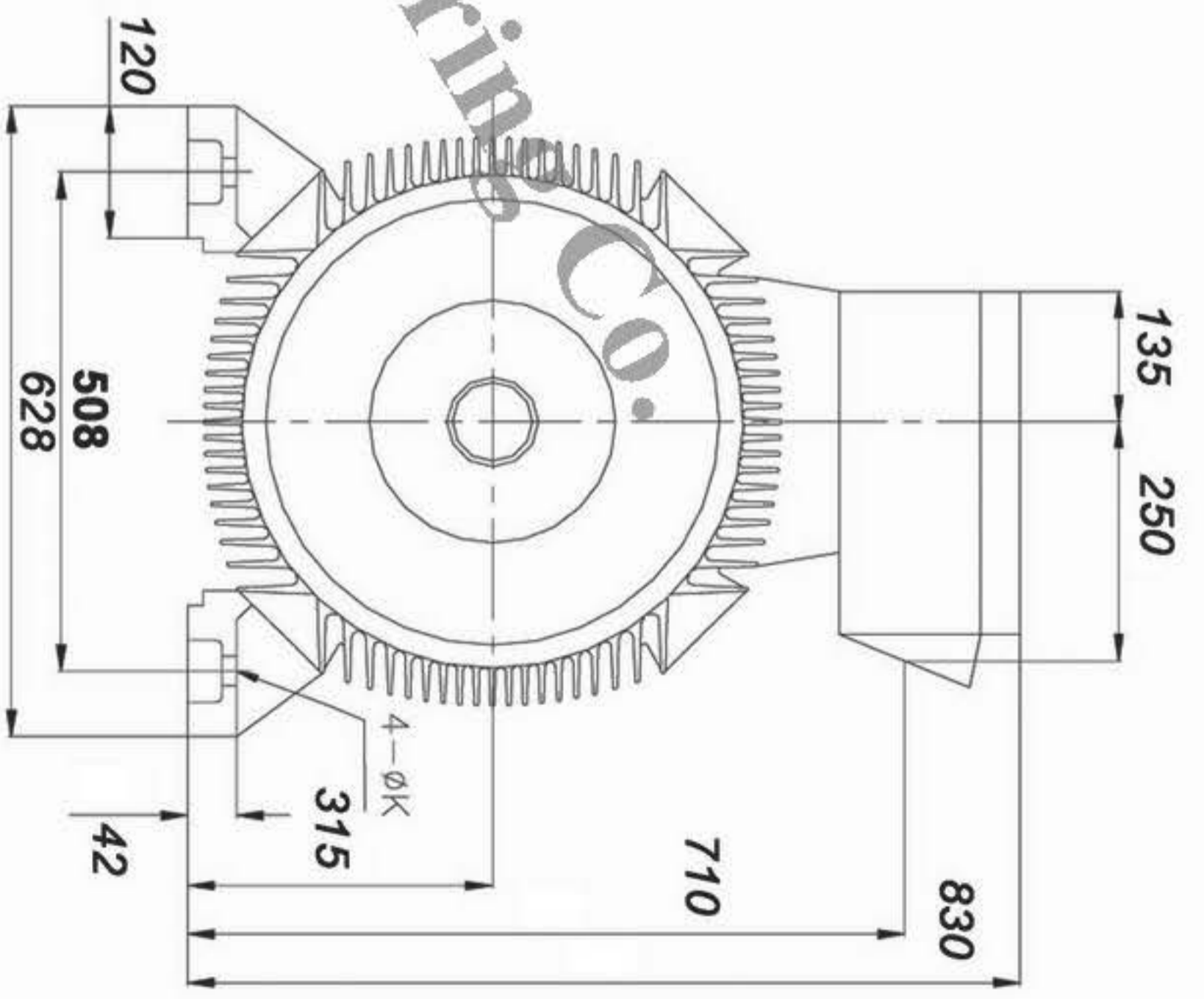
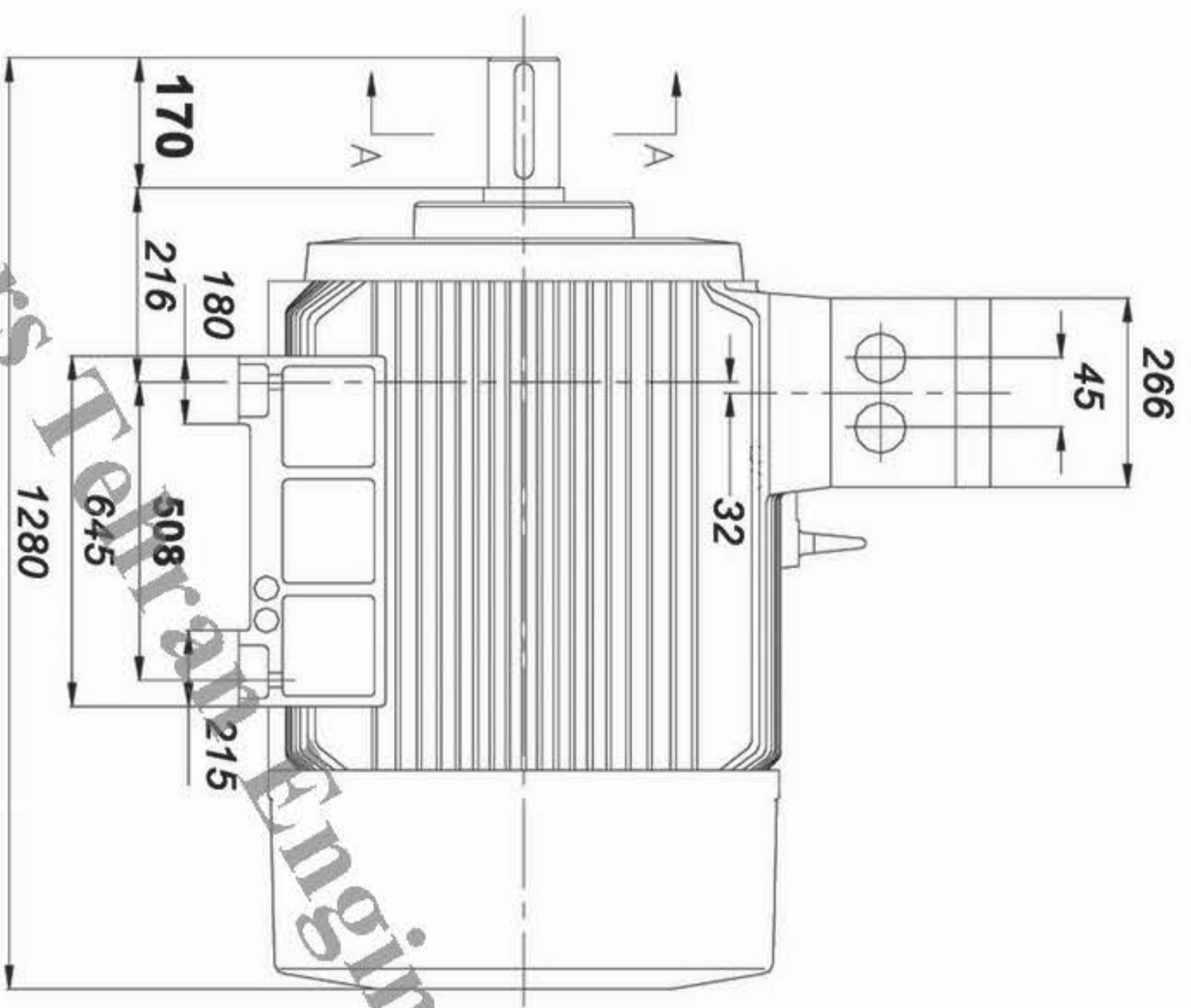
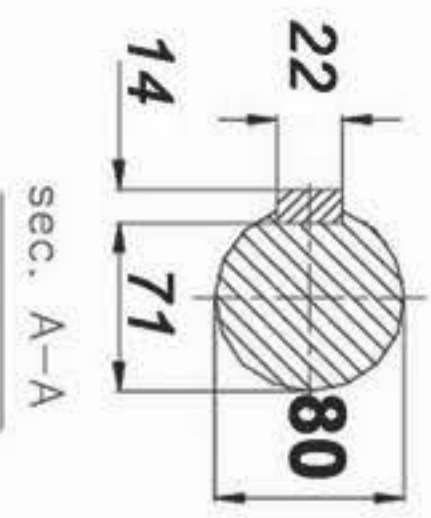


DATA SHEET JEMCO



Subject: Low voltage squirrel cage induction motors


Customer			Manufacturer Jemco			
Motor Type		YU1313-4A0		Average sound pressure level	No load	load
Frame Size	315L	Number of poles	4			
Mounting design	B3	Type of encloser	IP-55	Direction of rotation <input type="checkbox"/> both <input type="checkbox"/> CW <input type="checkbox"/> CCW <input type="checkbox"/>		
EX-Protective system			Bearing DE/NDE 6208-2z/6208-2z			
Duty type	S1	Starting		Lubrication		
Ambient Temperture		55 C		Type of lubrication		
Thermal classification		F	Tempertur rise	B	Relubrication	
Term motor protection			outline dimation drawing No.			
Retad output			160 KW		Location of Terminal Box	
rated voltage			380V		Number of terminals	
connection			DELTA		Cable entry thread	
Ferquency	50 HZ.	speed	1487	rpm	Net weight approx. 1200 Kg	
Rated current			284		A	
Starting Current			(I _A /I _N)		7	
Power Factor		4/4	3/4	1/2	Additional data and remarks: 1- Bearing Brand European :SKF,FAG	
		0.89				
Efficiency		4/4	3/4	1/2		
		94.6%				
Rated torque			(M _N)		1027 Nm	
starting torque			(M _A /M _N)=			
Break-down torque			(M _K /M _N)=		2%	
Rotor class						
Rotor voltage		Rotor current				
Moment of inertia			4.00 Kgm ²			
Torque characteristic						
Attachments						
	Date	Name	Tolerances acc. To			NO.
Designed						
checked						



Pars Tehran Engineering Co.

PARS TEHRAN ENG. CO.
PTCO



	Offer No.:
Power: 160Kw	Project:
Date:	Code: YU1313-4A0
Unit: mm	Frame: 315L
JEMCO	