

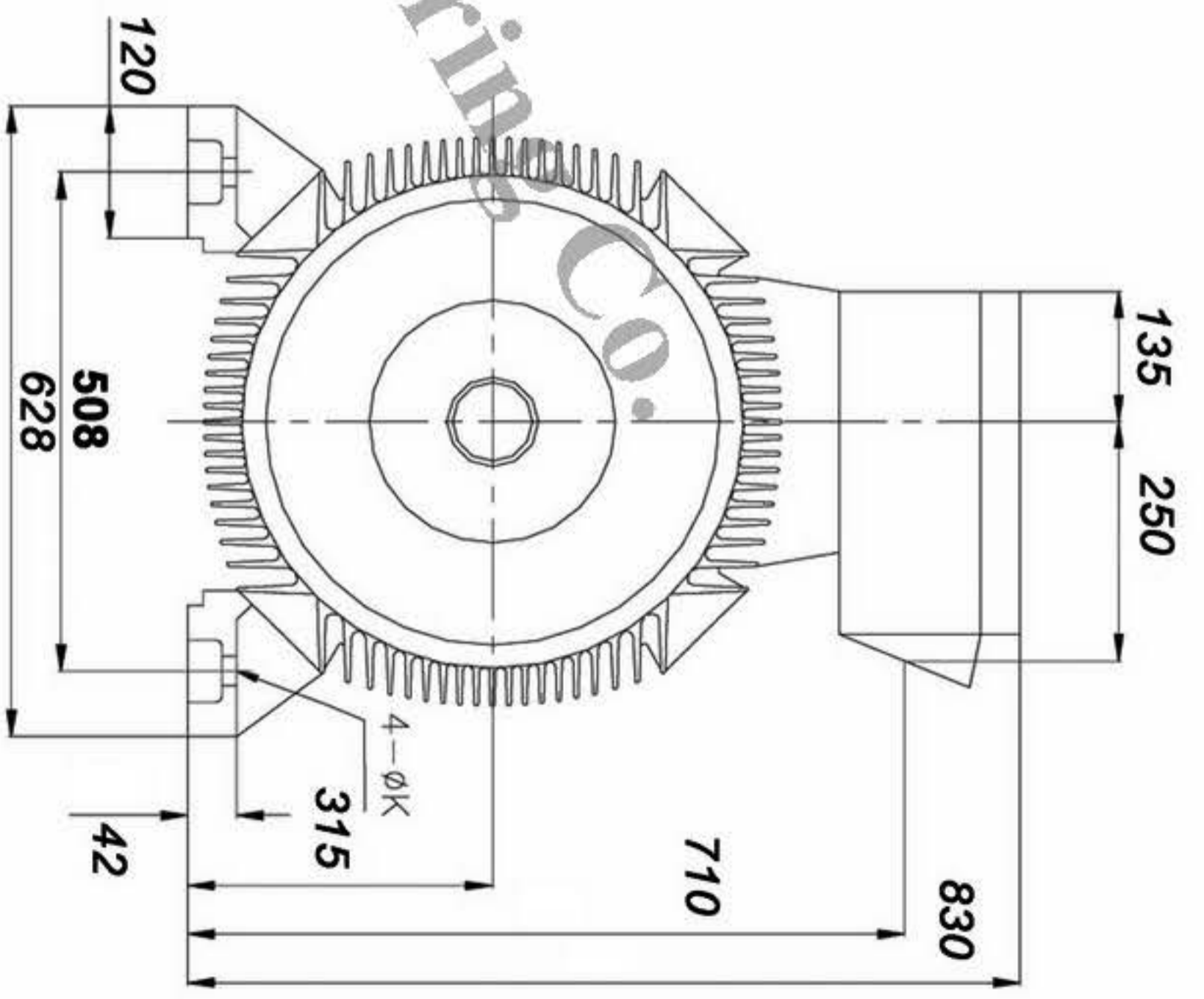
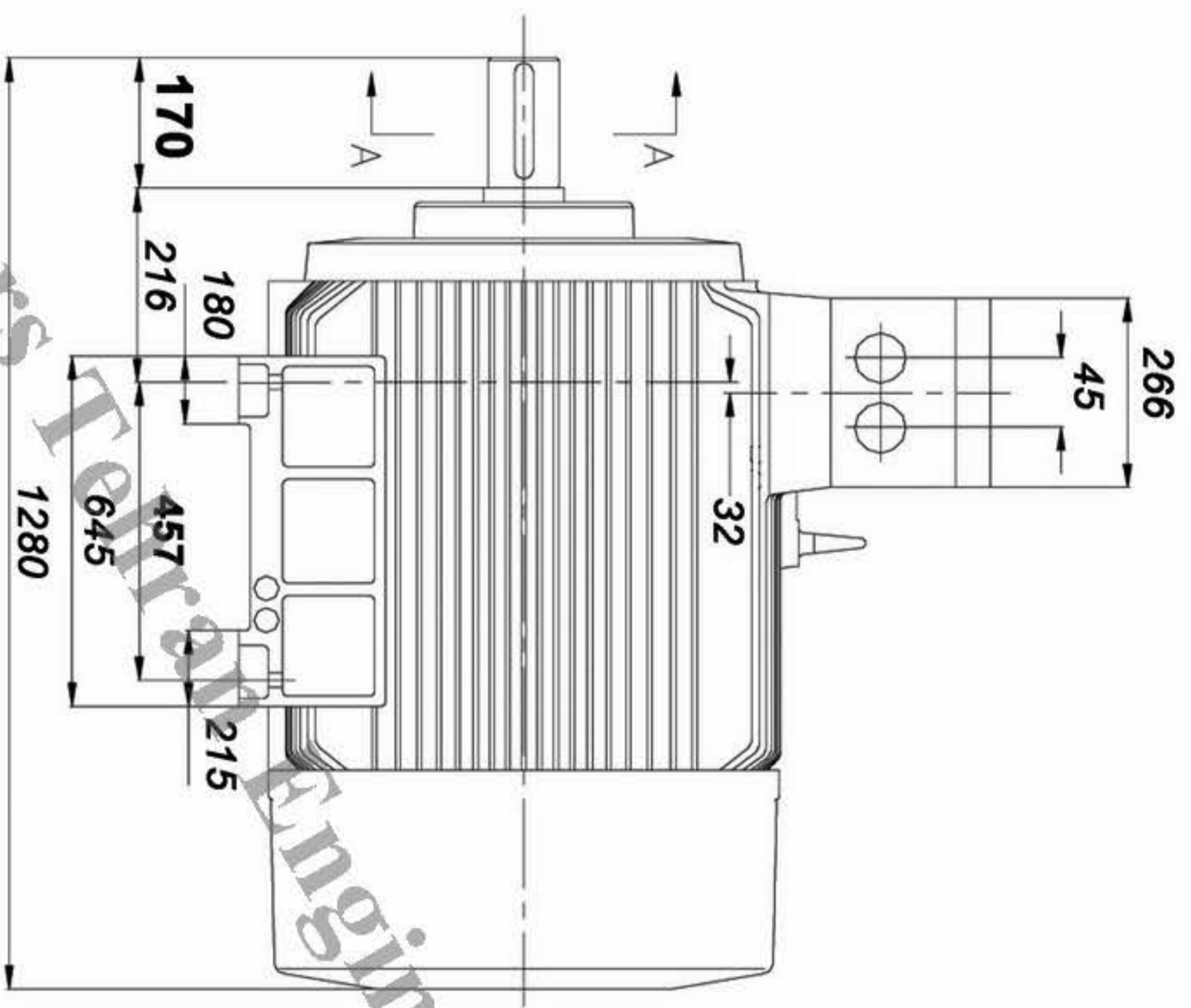
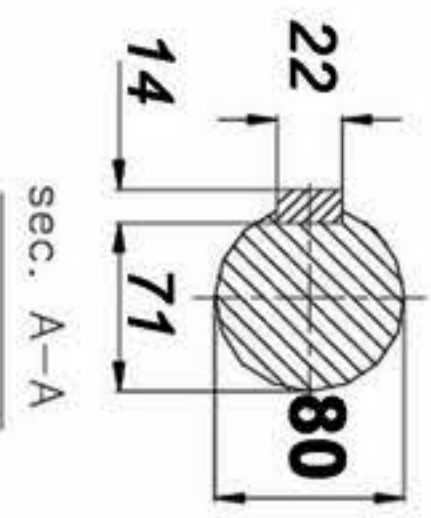


DATA SHEET JEMCO



Subject: Low voltage squirrel cage induction motors

Customer			Manufacturer Jemco				
Motor Type YU1312-4A0			Average sound pressure level		No load	load	
Frame Size 315M	Number of poles 4						
Mounting design B3	Type of encloser IP-55		Direction of rotation both <input type="checkbox"/> CW <input type="checkbox"/> CCW <input type="checkbox"/>				
EX-Protective system			Bearing DE/NDE 6208-2z/6208-2z				
Duty type S1	Starting		Lubrication				
Ambient Temperture 55 C			Type of lubrication				
Thermal classification F		Tempertur rise B		Relubrication			
Term motor protection			outline dimation drawing No.				
Retad output 132 KW			Location of Terminal Box				
rated voltage 380V			Number of terminals				
connection DELTA			Cable entry thread				
Ferquency 50 HZ.	speed 1487 rpm		Net weight approx. 1150 Kg				
Rated current 235 A			Test				
Starting Current (I_A/I_N) 7			Additional data and remarks: 1- Bearing Brand European :SKF,FAG				
Power Factor		4/4 0.89				3/4	1/2
Efficiency		4/4 94.2%				3/4	1/2
Rated torque (M_N) 848 Nm							
starting torque (M_A/M_N)=							
Break-down torque (M_k/M_N)= 2%							
Rotor class							
Rotor voltage		Rotor current					
Moment of inertia 3.50 Kgm²							
Torque characteristic							
Attachments							
	Date	Name	Tolerances acc. To		NO.		
Designed							
checked							



PARS TEHRAN ENG. CO.
PTCO



Offer No.:

Power: 132Kw

Project:

Date:

Code: YU1312-4A0

Unit: mm

JEMCO

Frame: 315M