

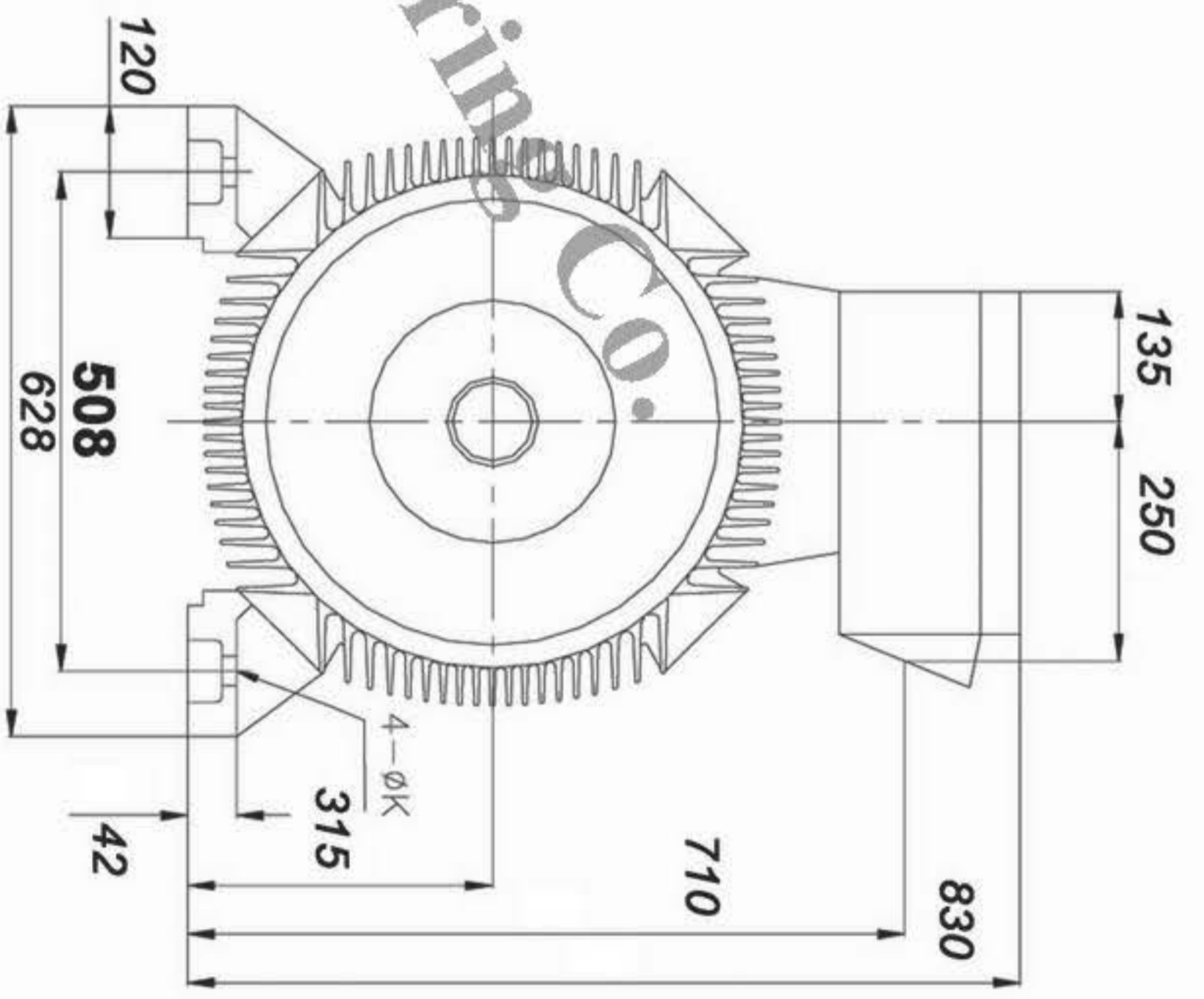
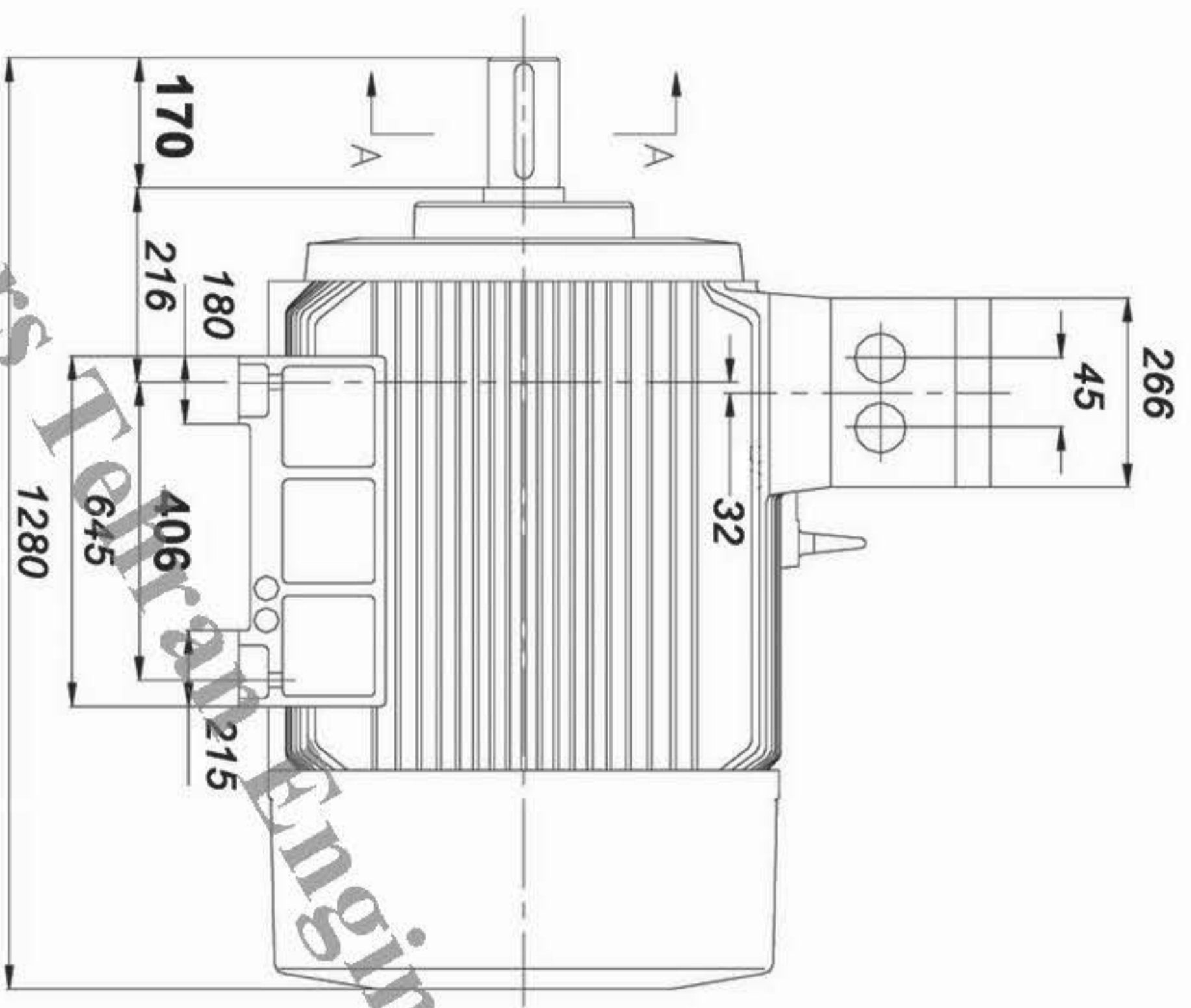
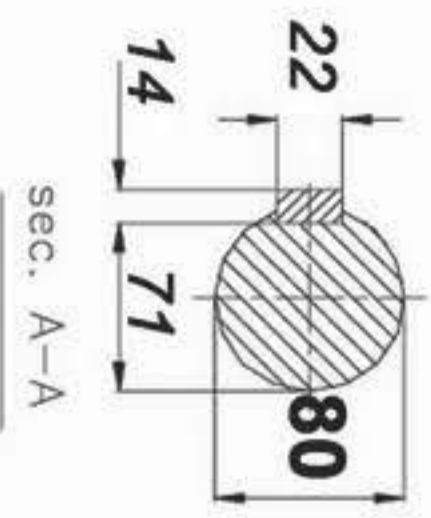


DATA SHEET JEMCO



Subject: Low voltage squirrel cage induction motors

Customer			Manufacturer Jemco				
Motor Type		YU1311-4A0		Average sound pressure level	No load	load	
Frame Size	315S	Number of poles	4				
Mounting design	B3	Type of encloser	IP-55	Direction of rotation <input type="checkbox"/> both <input type="checkbox"/> CW <input type="checkbox"/> CCW <input type="checkbox"/>			
EX-Protective system			Bearing DE/NDE 6208-2z/6208-2z				
Duty type	S1	Starting		Lubrication			
Ambient Temperture		55 C		Type of lubrication			
Thermal classification	F	Tempertur rise	B	Relubrication			
Term motor protection			outline dimation drawing No.				
Retad output		110 KW		Location of Terminal Box			
rated voltage		380V		Number of terminals			
connection		DELTA		Cable entry thread			
Ferquency	50 HZ.	speed	1487 rpm	Net weight approx. 1080 Kg			
Rated current		197 A		Test			
Starting Current		(I _A /I _N) 7		Additional data and remarks: 1- Bearing Brand European :SKF,FAG			
Power Factor		4/4	3/4				1/2
		0.89					
Efficiency		4/4	3/4				1/2
		93.7%					
Rated torque		(M _N) 706 Nm					
starting torque		(M _A /M _N)=					
Break-down torque		(M _K /M _N)= 2%					
Rotor class							
Rotor voltage		Rotor current					
Moment of inertia		3.00 Kgm ²					
Torque characteristic							
Attachments							
	Date	Name	Tolerances acc. To		NO.		
Designed							
checked							



Pars Tehran Engineering Co.



PARS TEHRAN ENG. CO.
PTCO



Offer No.:

Power: 110Kw

Project:

Date:

Code:

Unit: mm

YU1311-4A0

JEMCO

Frame: 315S