

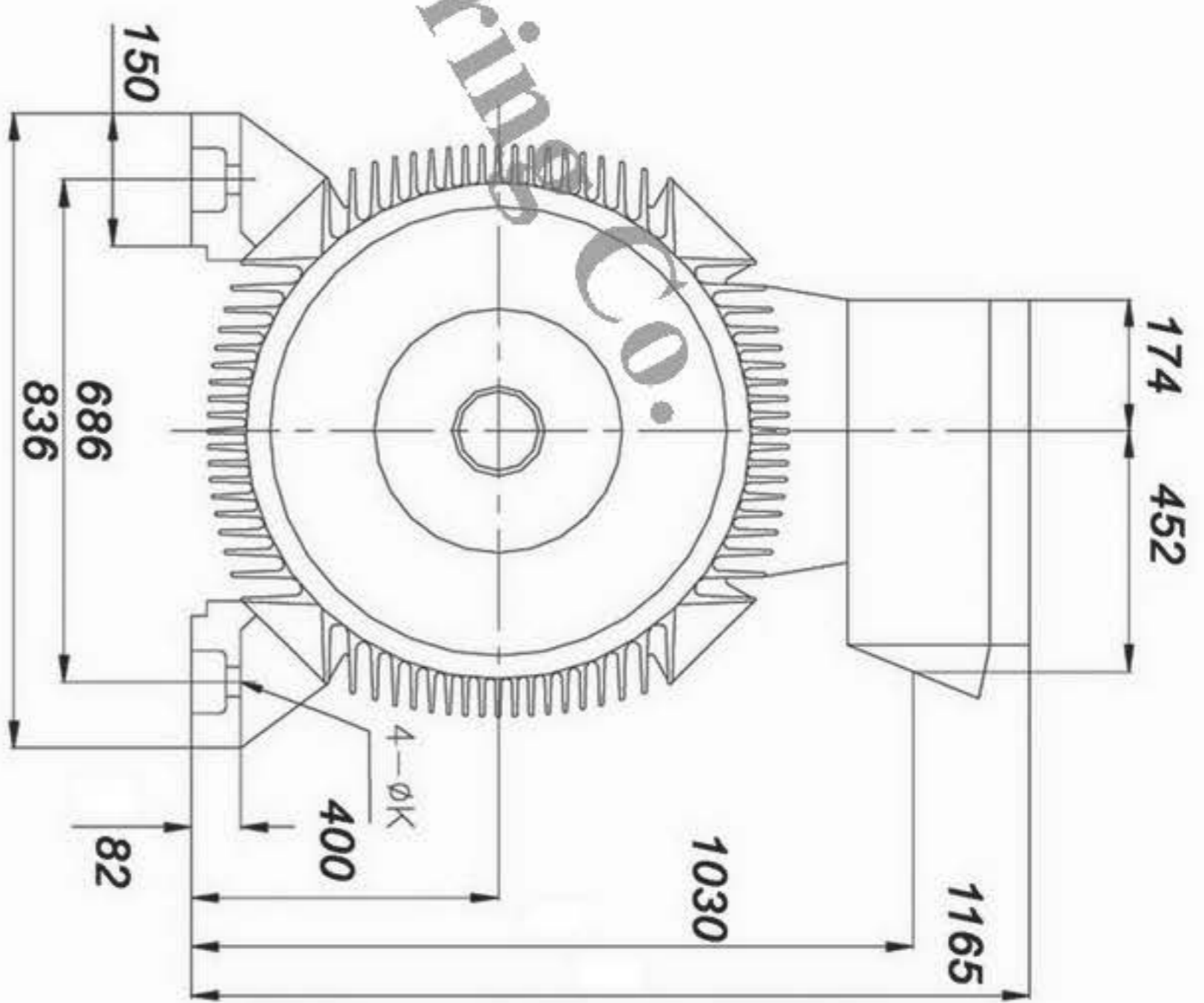
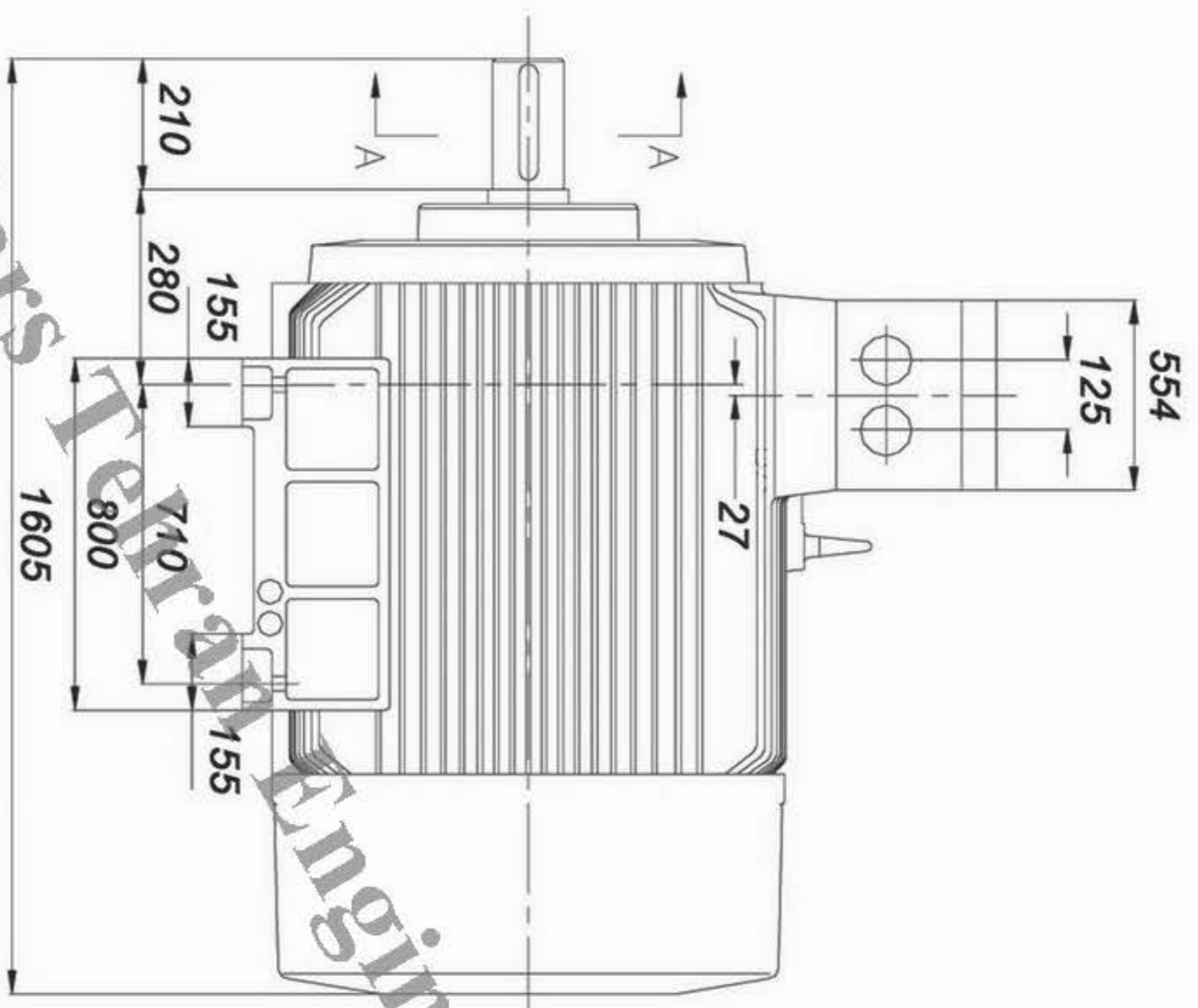
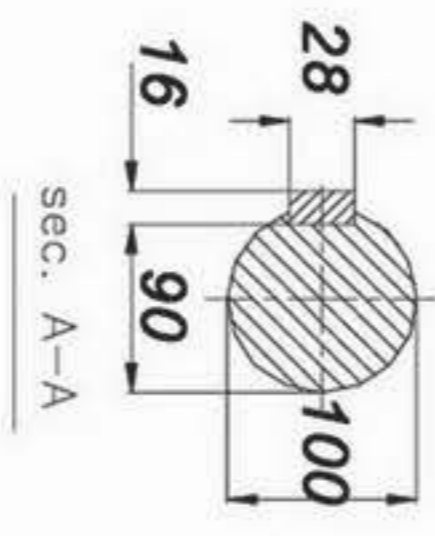


# DATA SHEET JEMCO



## Subject: Low voltage squirrel cage induction motors

Customer			Manufacturer <span style="float: right;">Jemco</span>			
Motor Type		YU1403-6A0		Average sound pressure level	No load <input type="checkbox"/> load <input type="checkbox"/>	
Frame Size	400L	Number of poles	6			
Mounting design	B3	Type of encloser	IP-55	Direction of rotation <input type="checkbox"/> both <input type="checkbox"/> CW <input type="checkbox"/> CCW <input type="checkbox"/>		
EX-Protective system			Bearing DE/NDE <span style="float: right;">6208-2z/6208-2z</span>			
Duty type	S1	Starting		Lubrication		
Ambient Temperture		55 C		Type of lubrication		
Thermal classification		F	Tempertur rise	B	Relubrication	
Term motor protection			outline dimation drawing No.			
Retad output		315 KW		Location of Terminal Box		
rated voltage		380V		Number of terminals		
connection		DELTA		Cable entry thread		
Ferquency	50 HZ.	speed	987 rpm	Net weight approx. <span style="float: right;">2320 Kg</span>		
Rated current		572 A		Test		
Starting Current		(IA/IN) 7		Additional data and remarks: 1- Bearing Brand European :SKF,FAG		
Power Factor		4/4	3/4			1/2
		0.86				
Efficiency		4/4	3/4			1/2
		95.2%				
Rated torque		(MN) 3048 Nm				
starting torque		(MA/MN)=				
Break-down torque		(MK/MN)= 2%				
Rotor class						
Rotor voltage		Rotor current				
Moment of inertia		19.75 Kgm2				
Torque characteristic						
Attachments						
	Date	Name	Tolerances acc. To		NO.	
Designed						
checked						



PARS TEHRAN ENGINEERING CO.



**PARS TEHRAN ENG. CO.**  
**PTCO**

	Offer No.:
Power: 315Kw	Project:
Date:	Code: YU1403-6A0
Unit: mm	Frame: 400L
<b>JEMCO</b>	