

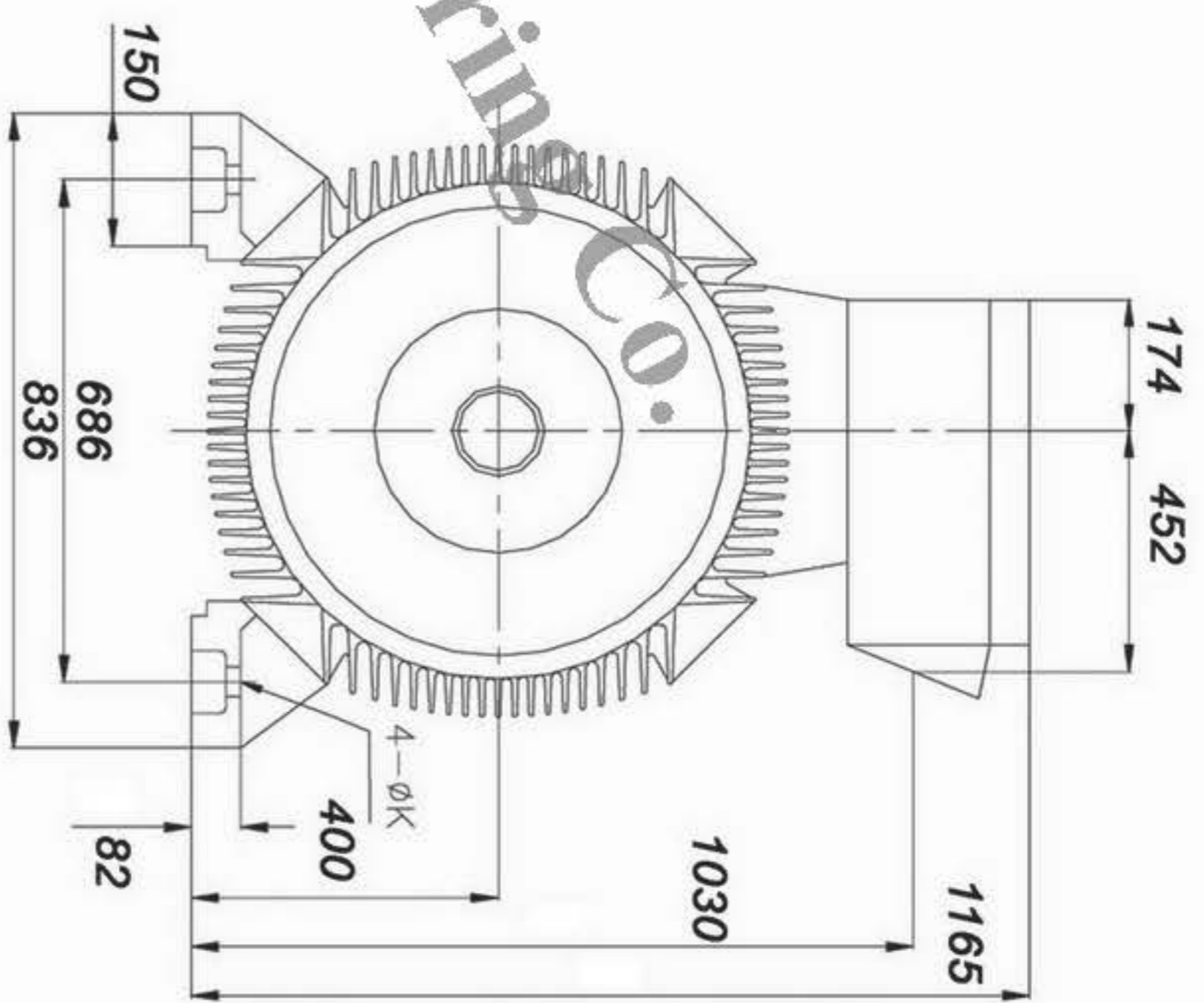
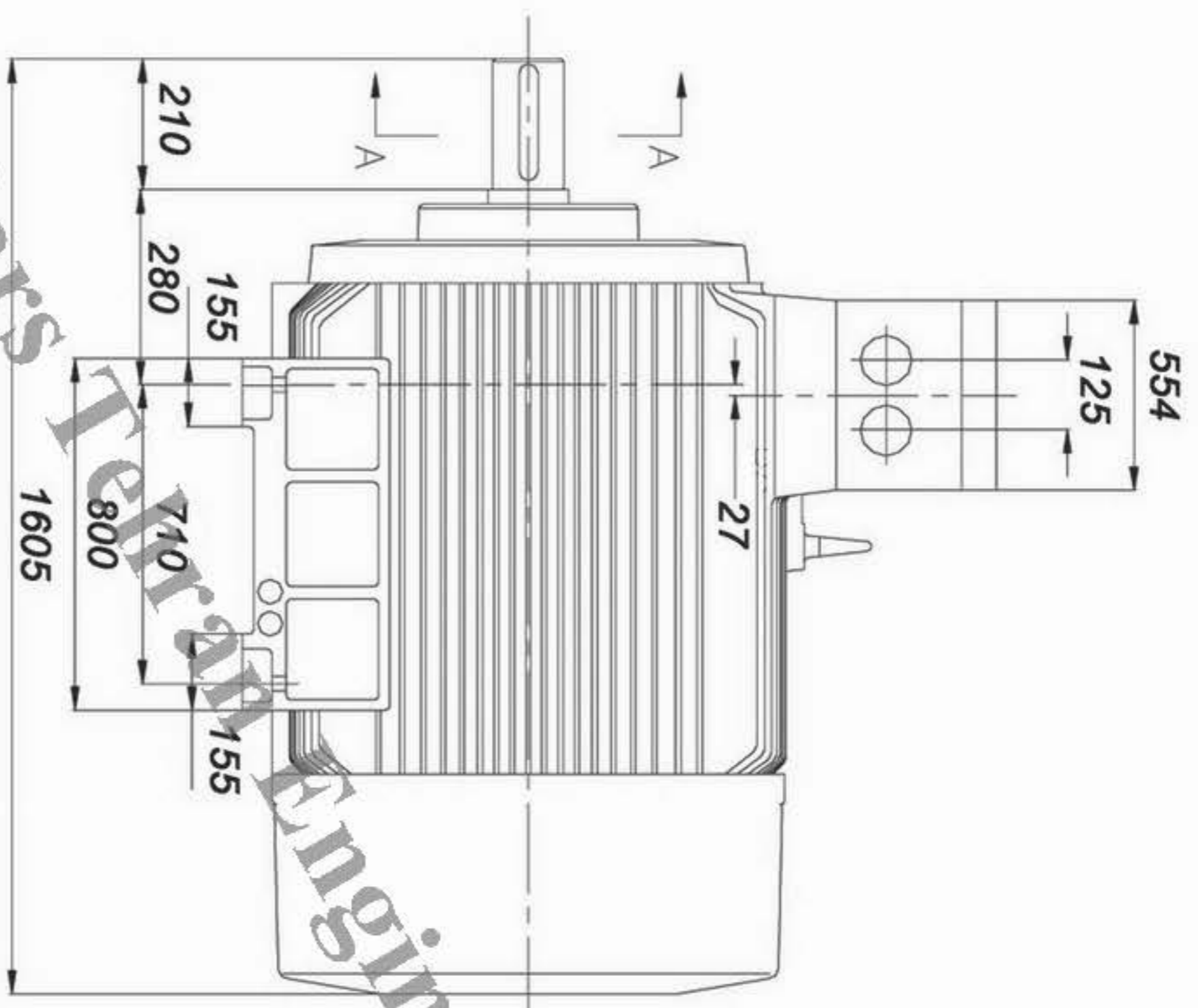
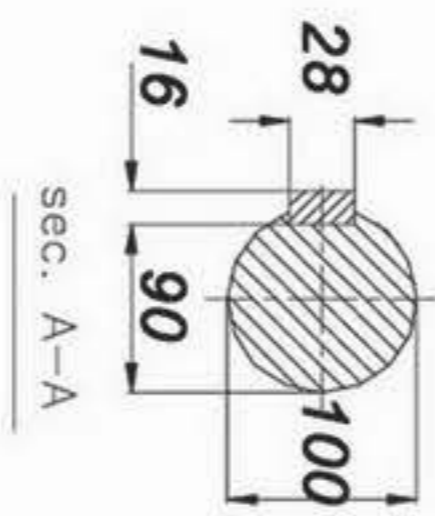


DATA SHEET JEMCO



Subject: Low voltage squirrel cage induction motors

Customer			Manufacturer Jemco		
Motor Type		YU1402-6A0		Average sound pressure level	
Frame Size		400L			
Number of poles		6		Direction of rotation	
Mounting design		B3		Type of encloser	
Type of encloser		IP-55		both <input type="checkbox"/> CW <input type="checkbox"/> CCW <input type="checkbox"/>	
EX-Protective system			Bearing DE/NDE		
Duty type			S1		Starting
Ambient Temperture			55 C		Lubrication
Thermal classification			F		Tempertur rise
Term motor protection			B		Relubrication
Retad output			280 KW		outline dimation drawing No.
rated voltage			380V		Location of Terminal Box
connection			DELTA		Number of terminals
Ferquency			50 HZ.		Cable entry thread
speed			987 rpm		Net weight approx.
Rated current			507 A		2300 Kg
Starting Current			(I _A /I _N)		Test
Power Factor			4/4		Additional data and remarks: 1- Bearing Brand European :SKF,FAG
Efficiency			0.86		
			4/4		
Rated torque			(M _N)		2709 Nm
starting torque			(M _A /M _N)=		
Break-down torque			(M _k /M _N)=		2%
Rotor class					
Rotor voltage		Rotor current			
Moment of inertia			19.75 Kgm ²		
Torque characteristic					
Attachments					
Date		Name		Tolerances acc. To	
Designed				NO.	
checked					



PARS TEHRAN ENGINEERING CO.



PARS TEHRAN ENG. CO.
PTCO

	Offer No.:
Power: 280Kw	Project:
Date:	Code: YU1402-6A0
Unit: mm	Frame: 400L
JEMCO	