

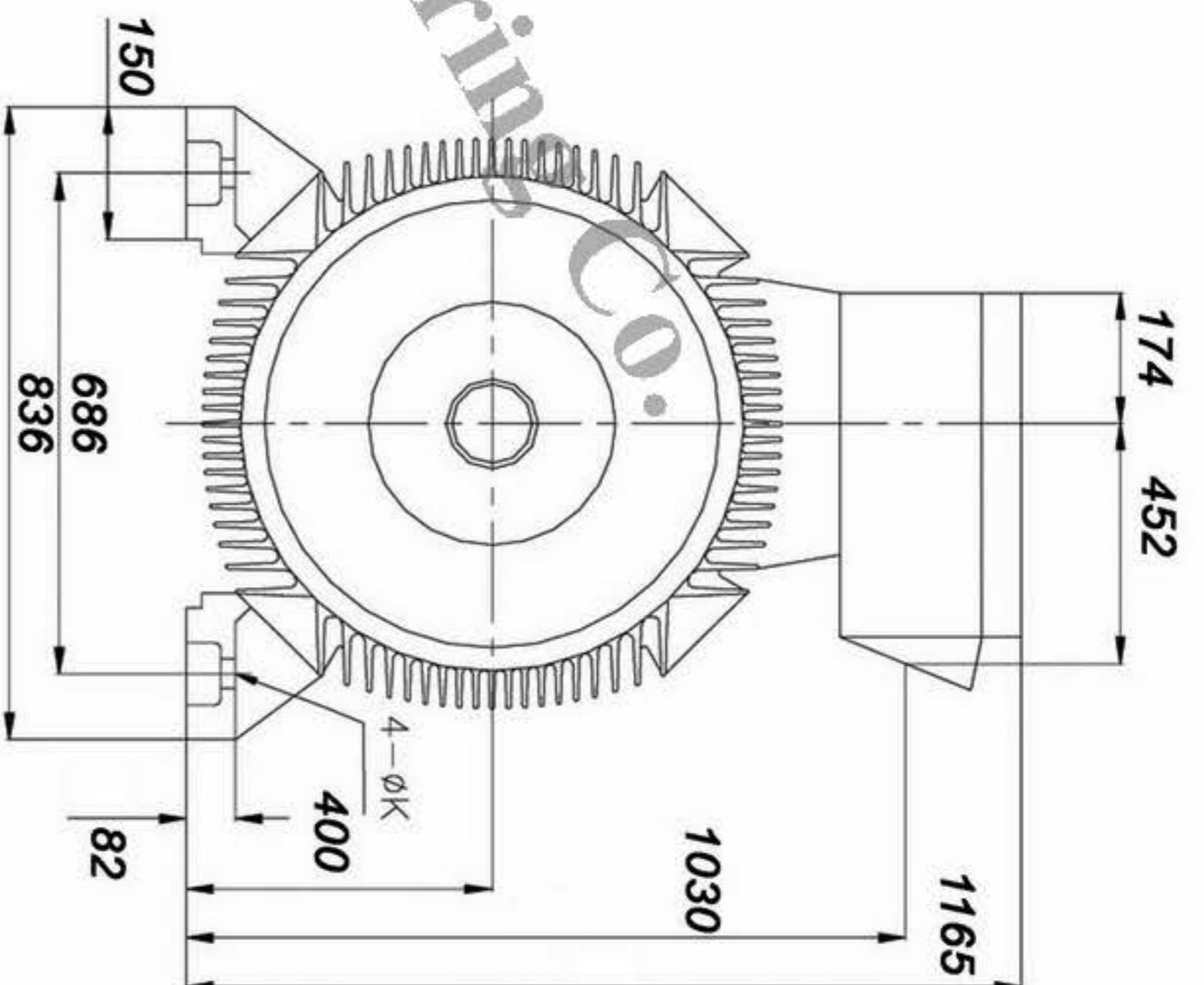
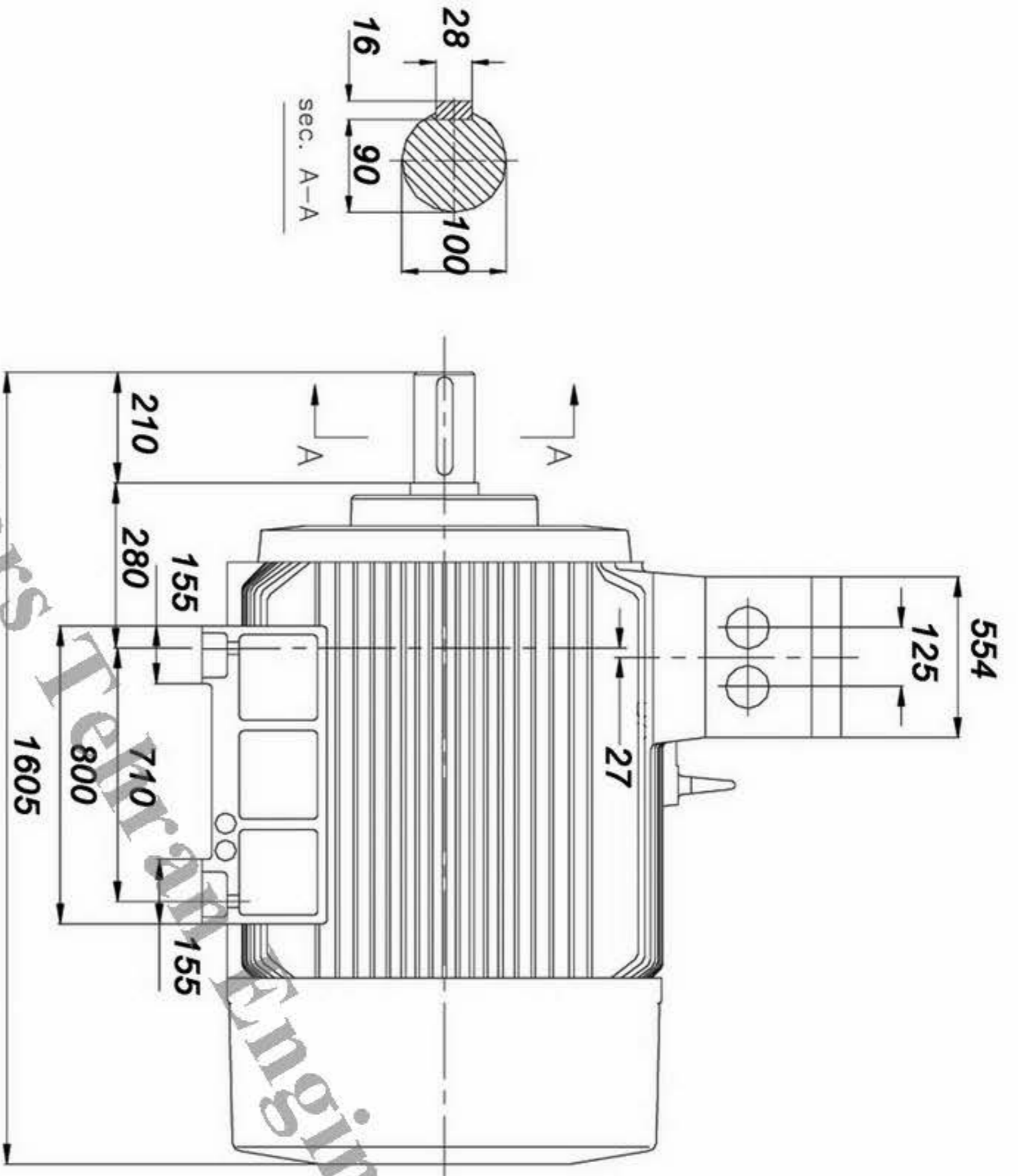


DATA SHEET JEMCO



Subject: Low voltage squirrel cage induction motors

Customer			Manufacturer Jemco			
Motor Type		YU1401-6A0		Average sound pressure level	No load	load
Frame Size	400L	Number of poles	6			
Mounting design	B3	Type of encloser	IP-55	Direction of rotation <input type="checkbox"/> both <input type="checkbox"/> CW <input type="checkbox"/> CCW <input type="checkbox"/>		
EX-Protective system			Bearing DE/NDE 6208-2z/6208-2z			
Duty type	S1	Starting		Lubrication		
Ambient Temperture		55 C		Type of lubrication		
Thermal classification		F	Tempertur rise	B	Relubrication	
Term motor protection			outline dimation drawing No.			
Retad output			250 KW		Location of Terminal Box	
rated voltage		380V		Number of terminals		
connection		DELTA		Cable entry thread		
Ferquency	50 HZ.	speed	987	rpm	Net weight approx. 2135 Kg	
Rated current		457		A		
Starting Current		(IA/In)		7		
Power Factor		4/4	3/4	1/2		
		0.86				
Efficiency		4/4	3/4	1/2		
		94.9%				
Rated torque		(Mn)		2419 Nm		
starting torque		(Ma/Mn)=				
Break-down torque		(Mk/Mn)= 2%				
Rotor class						
Rotor voltage			Rotor current			
Moment of inertia		16.75 Kgm ²				
Torque characteristic						
Attachments						
	Date	Name	Tolerances acc. To			NO.
Designed						
checked						



PARS TEHRAN ENG. CO.
PTCO



Offer No.:

Power: 250Kw

Project:

Date:

Unit: mm

Code: YU1401-6A0

JEMCO

Frame: 400L