

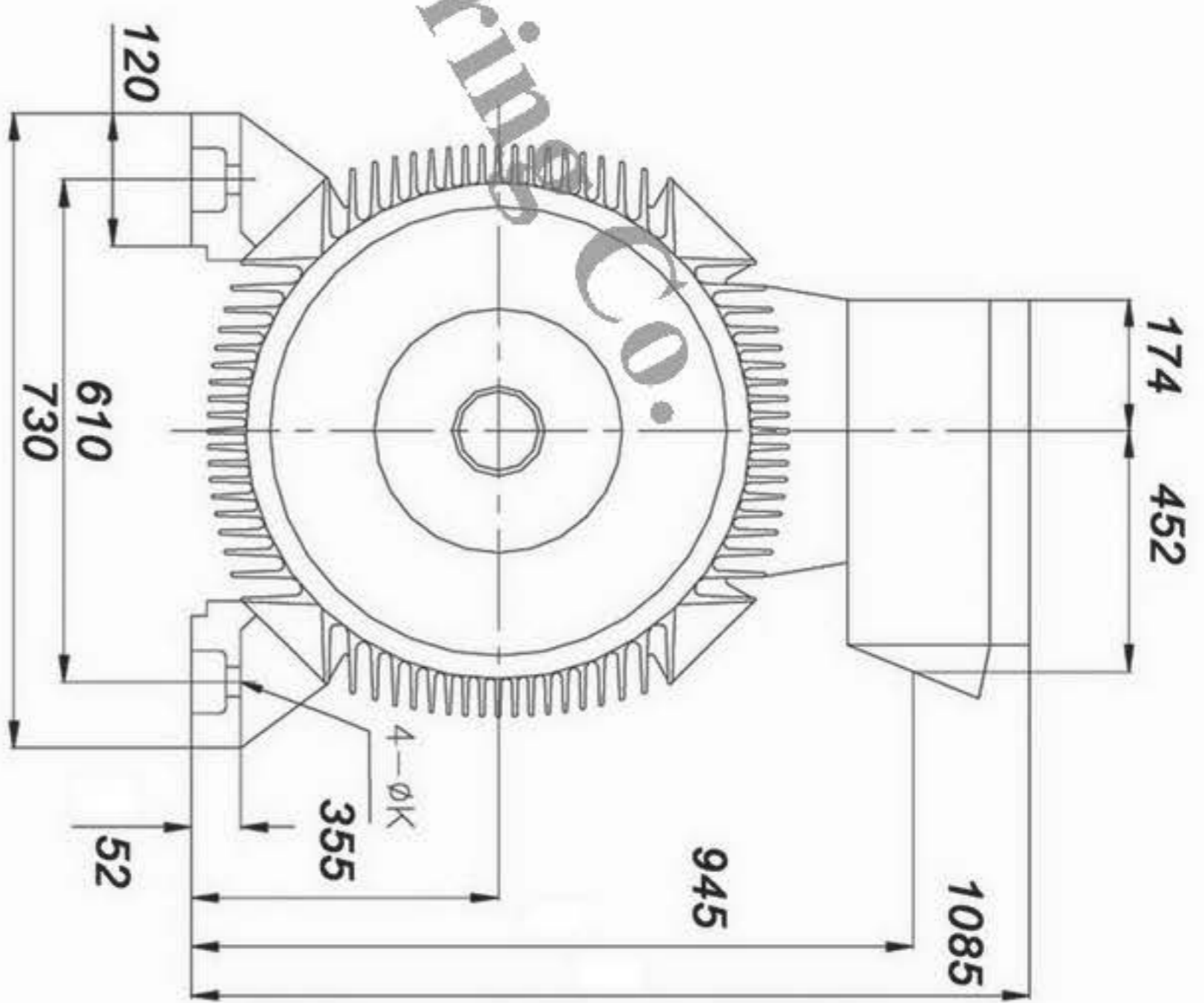
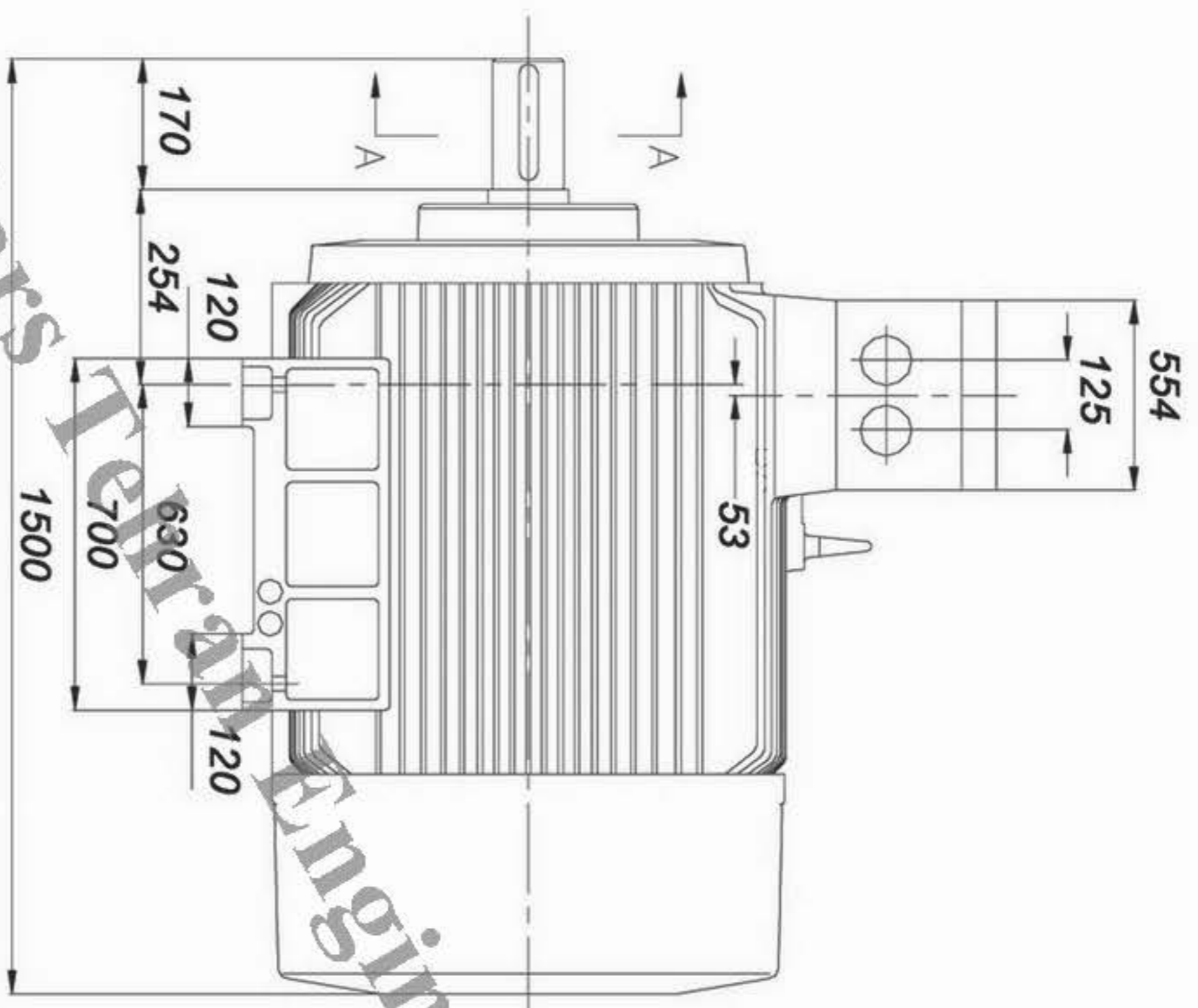
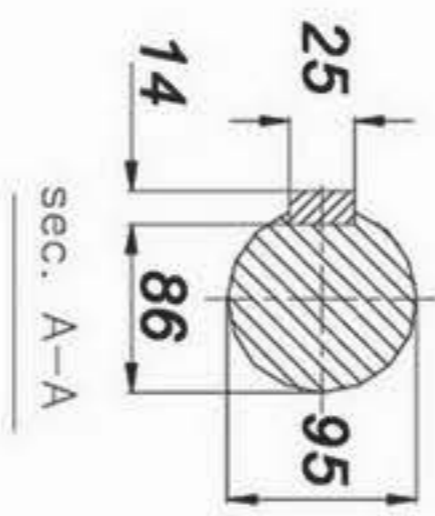


# DATA SHEET JEMCO



## Subject: Low voltage squirrel cage induction motors

Customer			Manufacturer <span style="float: right;">Jemco</span>		
Motor Type		YU1354-6A0			
Frame Size		Number of poles		Average sound pressure level	
355L		6		No load <input type="checkbox"/> load <input type="checkbox"/>	
Mounting design		Type of encloser		Direction of rotation	
B3		IP-55		both <input type="checkbox"/> CW <input type="checkbox"/> CCW <input type="checkbox"/>	
EX-Protective system			Bearing DE/NDE <span style="float: right;">6208-2z/6208-2z</span>		
Duty type		Starting		Lubrication	
S1					
Ambient Temperture		55 C		Type of lubrication	
Thermal classification		Tempertur rise		Relubrication	
F		B			
Term motor protection			outline dimention drawing No.		
Retad output			220 KW		
			Location of Terminal Box		
rated voltage			380V		
			Number of terminals		
connection			DELTA		
			Cable entry thread		
Ferquency		speed		Net weight approx.	
50 HZ.		986 rpm		1900 Kg	
Rated current			403 A		
			Test		
Starting Current			(I <sub>A</sub> /I <sub>N</sub> )		
			7		
Power Factor		4/4		3/4	
		0.87		1/2	
Efficiency		4/4		3/4	
		94.6%		1/2	
Rated torque			(M <sub>N</sub> )		
			2131 Nm		
starting torque			(M <sub>A</sub> /M <sub>N</sub> )=		
Break-down torque			(M <sub>k</sub> /M <sub>N</sub> )=		
			2%		
Rotor class					
Rotor voltage			Rotor current		
Moment of inertia			10.25 Kgm <sup>2</sup>		
Torque characteristic					
Attachments					
Date		Name		Tolerances acc. To	
Designed				NO.	
checked					



**PARS TEHRAN ENG. CO.**  
PTCO

	Offer No.:
Power: 220Kw	Project:
Date:	Code: YU1354-6A0
Unit: mm	Frame: 355L
<b>JEMCO</b>	