

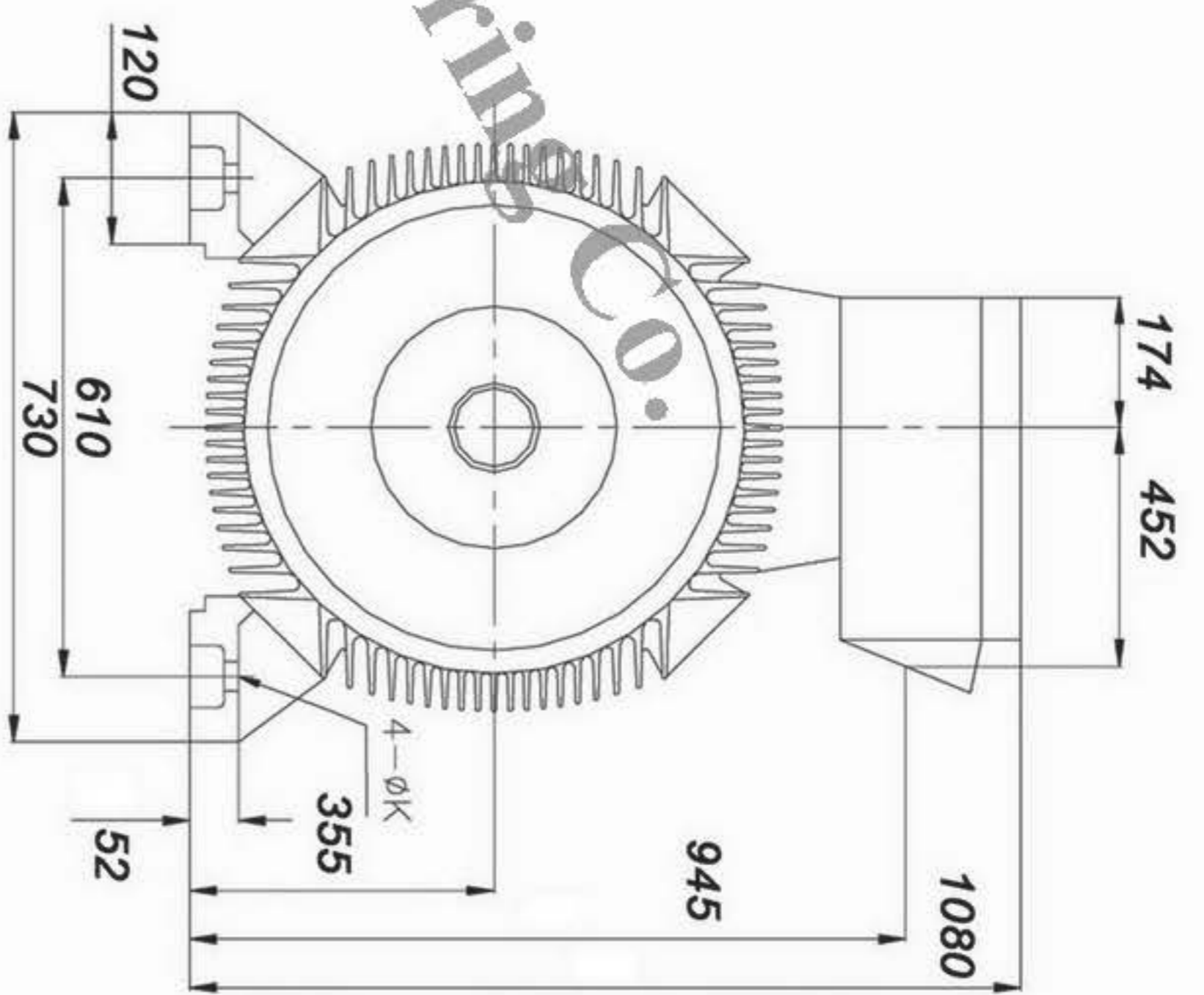
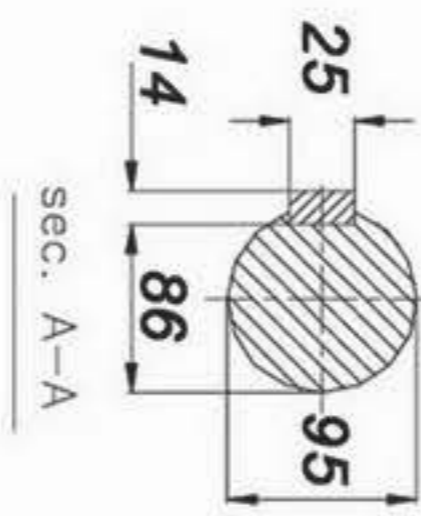
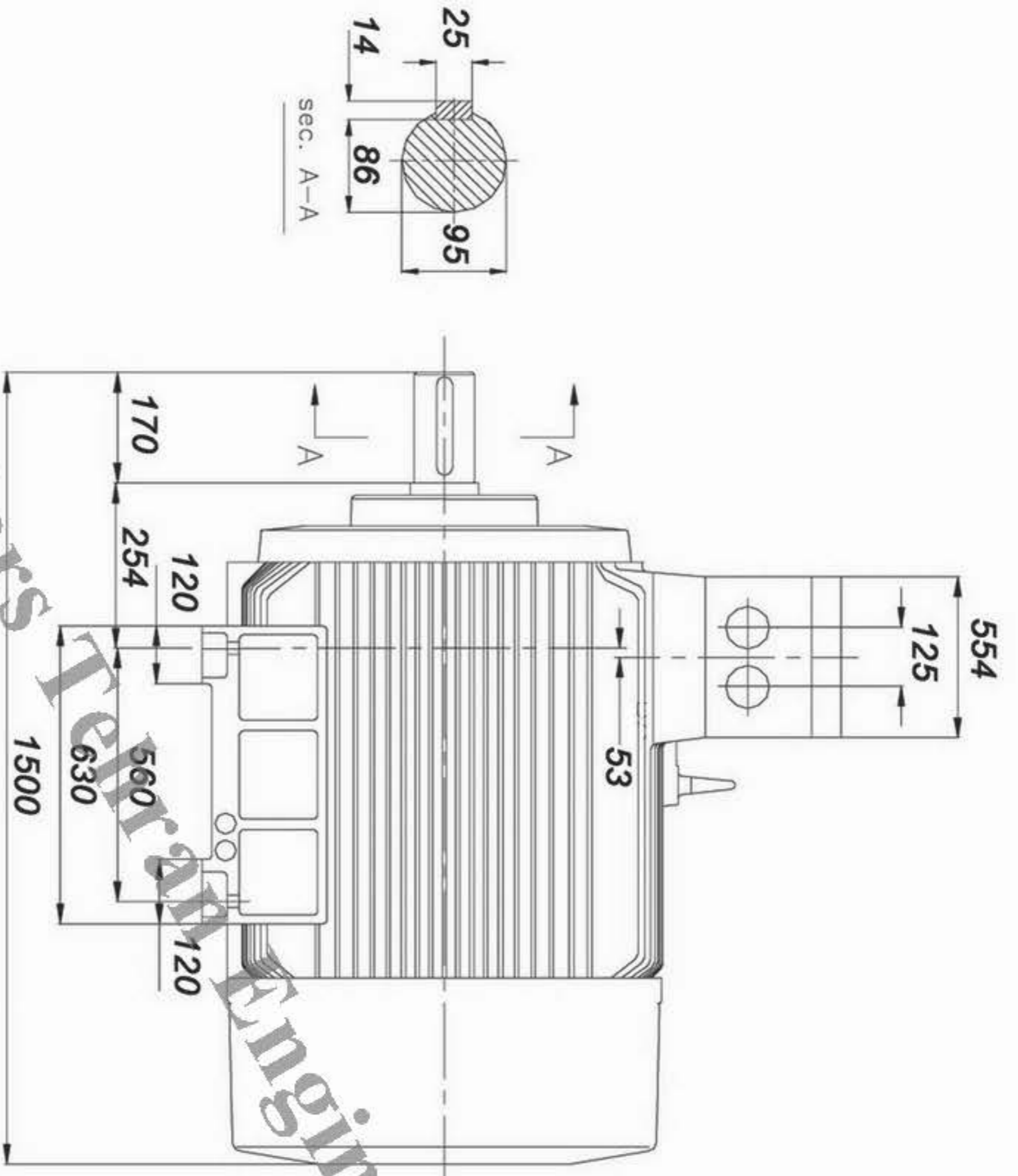


# DATA SHEET JEMCO



## Subject: Low voltage squirrel cage induction motors









Customer			Manufacturer <span style="float: right;">Jemco</span>			
Motor Type		YU1353-6A0		Average sound pressure level	No load	load
Frame Size	355L	Number of poles	6			
Mounting design	B3	Type of encloser	IP-55	Direction of rotation <input type="checkbox"/> both <input type="checkbox"/> CW <input type="checkbox"/> CCW <input type="checkbox"/>		
EX-Protective system			Bearing DE/NDE <span style="float: right;">6208-2z/6208-2z</span>			
Duty type	S1	Starting		Lubrication		
Ambient Temperture		55 C		Type of lubrication		
Thermal classification	F	Tempertur rise	B	Relubrication		
Term motor protection			outline dimention drawing No.			
Retad output		200 KW		Location of Terminal Box		
rated voltage		380V		Number of terminals		
connection		DELTA		Cable entry thread		
Ferquency	50 HZ.	speed	985 rpm	Net weight approx. <span style="float: right;">1880 Kg</span>		
Rated current		367 A		Test		
Starting Current		(I <sub>A</sub> /I <sub>N</sub> )		Additional data and remarks:		
Power Factor	4/4	3/4	1/2	1- Bearing Brand European :SKF,FAG		
	0.87					
Efficiency	4/4	3/4	1/2			
	94.4%					
Rated torque		(M <sub>N</sub> )		1939 Nm		
starting torque		(M <sub>A</sub> /M <sub>N</sub> )=				
Break-down torque		(M <sub>K</sub> /M <sub>N</sub> )=		2%		
Rotor class						
Rotor voltage		Rotor current				
Moment of inertia		9.25 Kgm <sup>2</sup>				
Torque characteristic						
Attachments						
	Date	Name	Tolerances acc. To			NO.
Designed						
checked						



PARS TEHRAN ENGINEERING CO.



PARS TEHRAN ENG. CO.  
PTCO

	Power: 200Kw		Offer No.:
	Date:		Project:
	Unit: mm		Code: YU1353-6A0
	Frame: 355M		JEMCO