

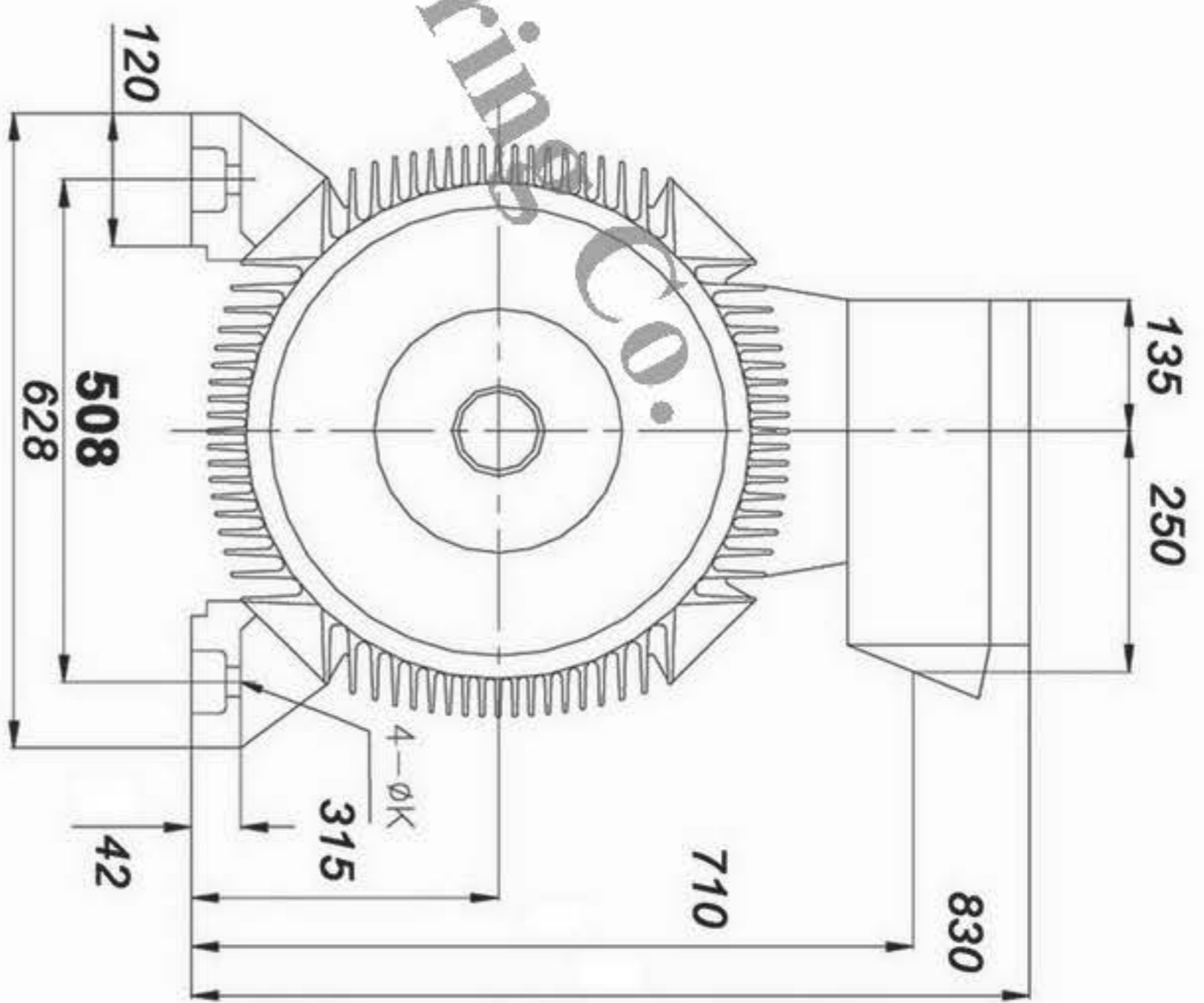
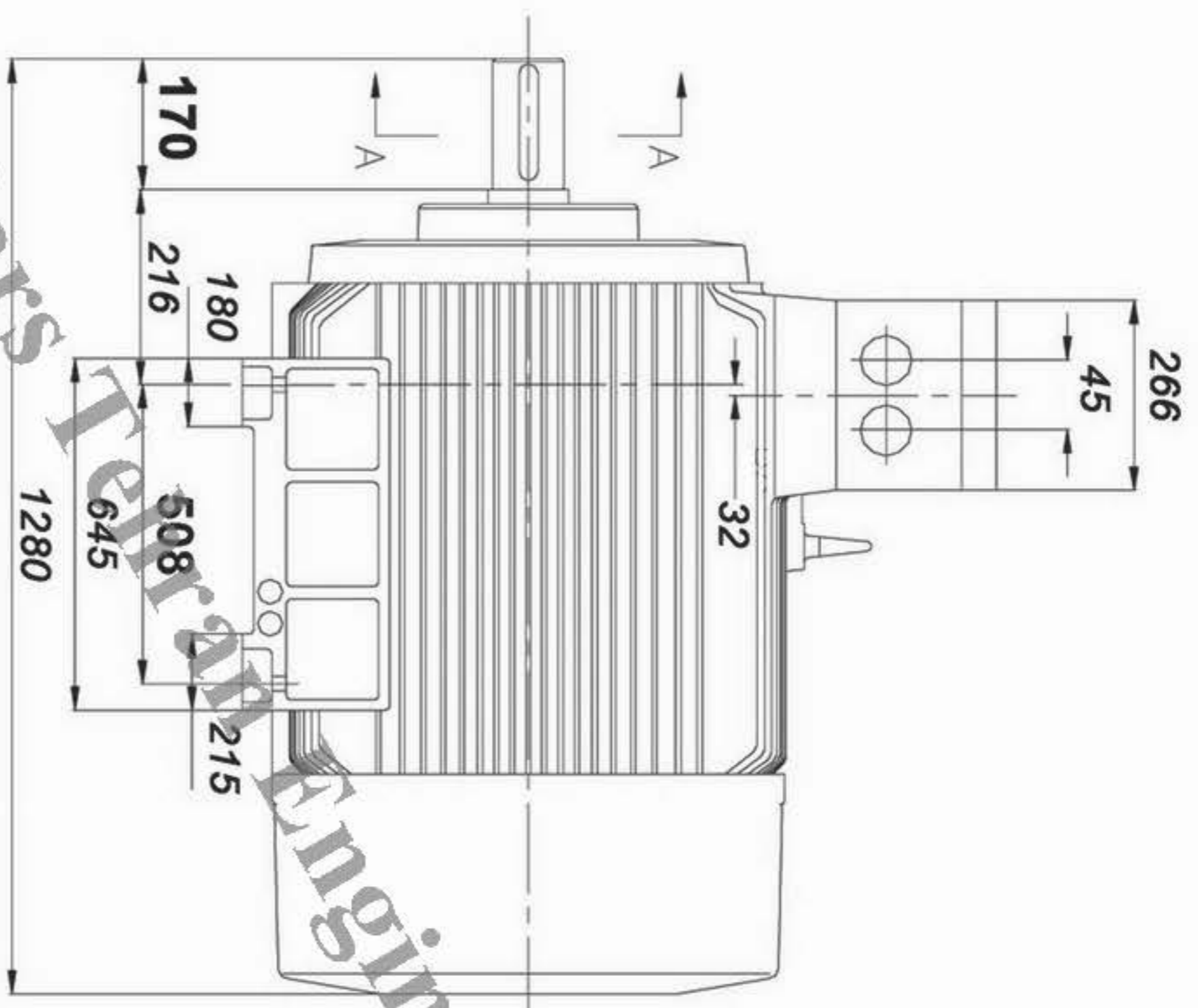
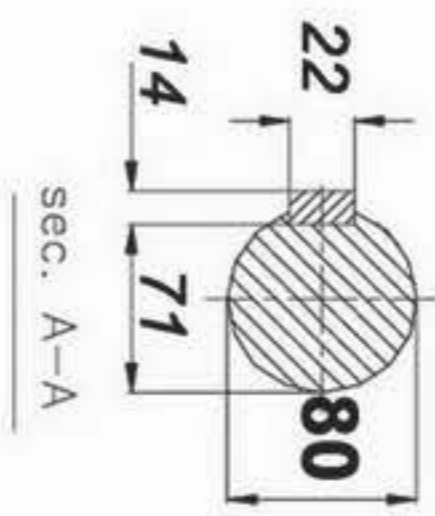


# DATA SHEET JEMCO



## Subject: Low voltage squirrel cage induction motors

Customer			Manufacturer <span style="float: right;">Jemco</span>				
Motor Type		YU1314-6A0			Average sound pressure level	No load	load
Frame Size	315L	Number of poles	6				
Mounting design	B3	Type of encloser	IP-55		Direction of rotation <input type="checkbox"/> both <input type="checkbox"/> CW <input type="checkbox"/> CCW <input type="checkbox"/>		
EX-Protective system			Bearing DE/NDE		6208-2z/6208-2z		
Duty type	S1	Starting		Lubrication			
Ambient Temperture		55 C			Type of lubrication		
Thermal classification		F	Tempertur rise		B		
Term motor protection		outline dimation drawing No.					
Retad output		132 KW			Location of Terminal Box		
rated voltage		380V			Number of terminals		
connection		DELTA			Cable entry thread		
Ferquency	50 HZ.	speed	988 rpm		Net weight approx. <span style="float: right;">1380 Kg</span>		
Rated current		242 A			Test		
Starting Current		(I <sub>A</sub> /I <sub>N</sub> )			7		
Power Factor	4/4		3/4		1/2		
	0.87						
Efficiency	4/4		3/4		1/2		
	93.6%						
Rated torque		(M <sub>N</sub> )		1276 Nm			
starting torque		(M <sub>A</sub> /M <sub>N</sub> )=					
Break-down torque		(M <sub>k</sub> /M <sub>N</sub> )= <span style="float: right;">2%</span>					
Rotor class							
Rotor voltage			Rotor current				
Moment of inertia		6.00 Kgm <sup>2</sup>					
Torque characteristic							
Attachments							
	Date	Name	Tolerances acc. To			NO.	
Designed							
checked							



**PARS TEHRAN ENG. CO.**  
PTCO

PARS TEHRAN ENGINEERING CO.

	Offer No.:
Power: 132Kw	Project:
Date:	Code: YU1314-6A0
Unit: mm	Frame: 315L
<b>JEMCO</b>	