

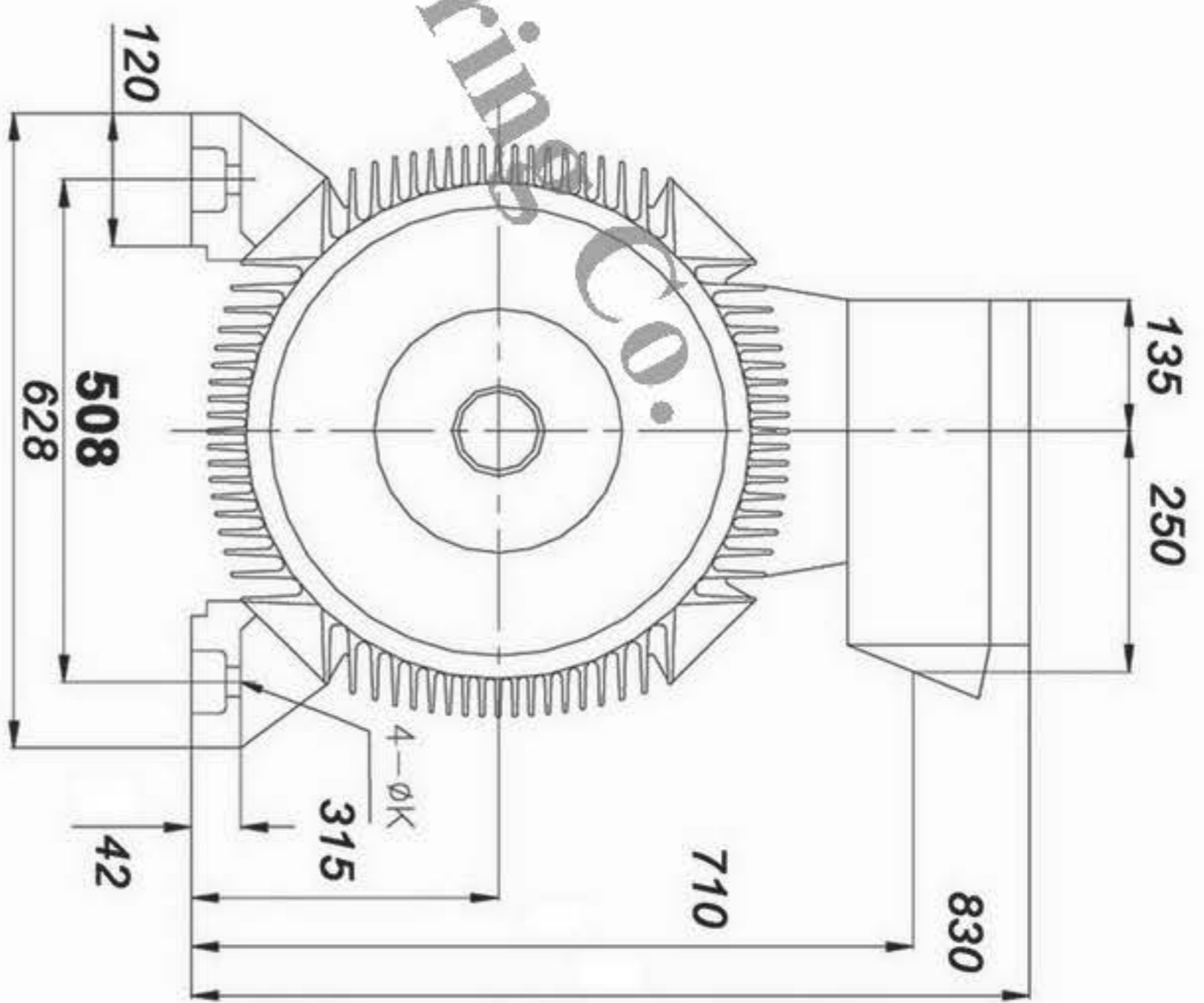
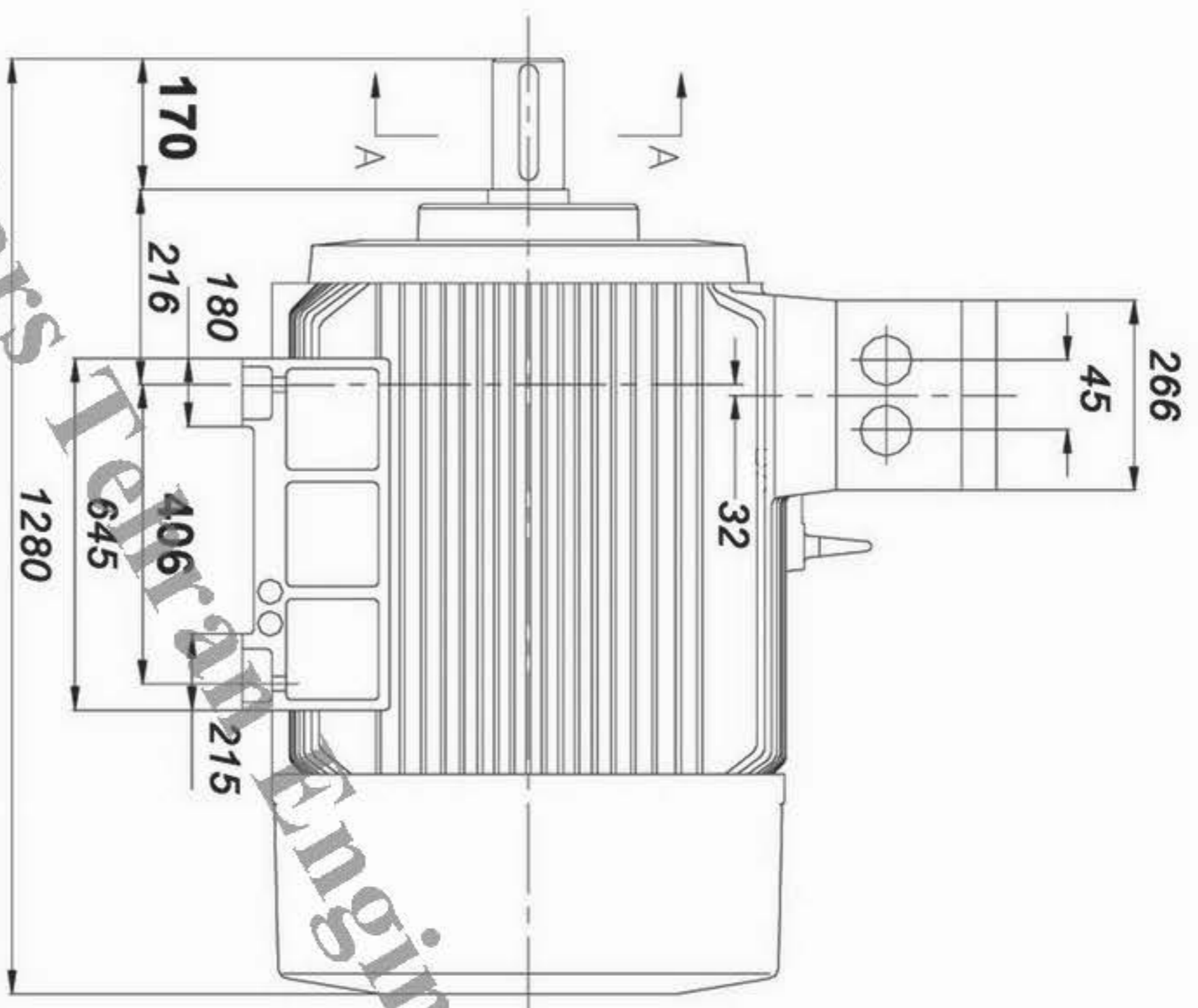
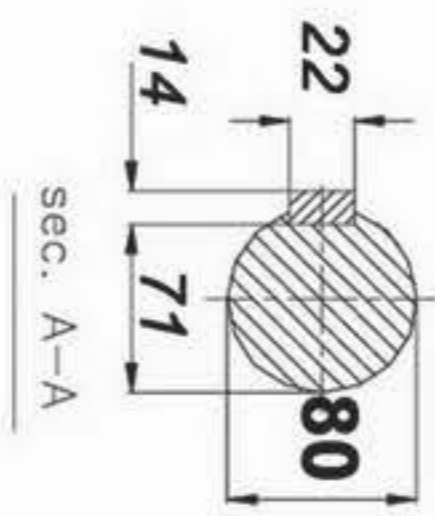


DATA SHEET JEMCO



Subject: Low voltage squirrel cage induction motors

Customer			Manufacturer Jemco			
Motor Type		YU1311-6A0		Average sound pressure level	No load	load
Frame Size	315S	Number of poles	6			
Mounting design	B3	Type of encloser	IP-55	Direction of rotation <input type="checkbox"/> both <input type="checkbox"/> CW <input type="checkbox"/> CCW <input type="checkbox"/>		
EX-Protective system			Bearing DE/NDE 6208-2z/6208-2z			
Duty type	S1	Starting		Lubrication		
Ambient Temperture		55 C		Type of lubrication		
Thermal classification	F	Tempertur rise	B	Relubrication		
Term motor protection			outline dimention drawing No.			
Retad output		75 KW		Location of Terminal Box		
rated voltage		380V		Number of terminals		
connection		DELTA		Cable entry thread		
Ferquency	50 HZ.	speed	987 rpm	Net weight approx. 1060 Kg		
Rated current		139 A		Test		
Starting Current		(I _A /I _N)		Additional data and remarks:		
Power Factor	4/4	3/4	1/2	1- Bearing Brand European :SKF,FAG		
	0.87					
Efficiency	4/4	3/4	1/2			
	93.0%					
Rated torque		(M _N)		726 Nm		
starting torque		(M _A /M _N)=				
Break-down torque		(M _K /M _N)=		2%		
Rotor class						
Rotor voltage		Rotor current				
Moment of inertia		4.00 Kgm ²				
Torque characteristic						
Attachments						
	Date	Name	Tolerances acc. To			NO.
Designed						
checked						



PARS TEHRAN ENGINEERING CO.



PARS TEHRAN ENG. CO.
PTCO

	Offer No.:
Power: 75Kw	Project:
Date:	Code: YU1311-6A0
Unit: mm	Frame: 315L
JEMCO	