



DATA SHEET

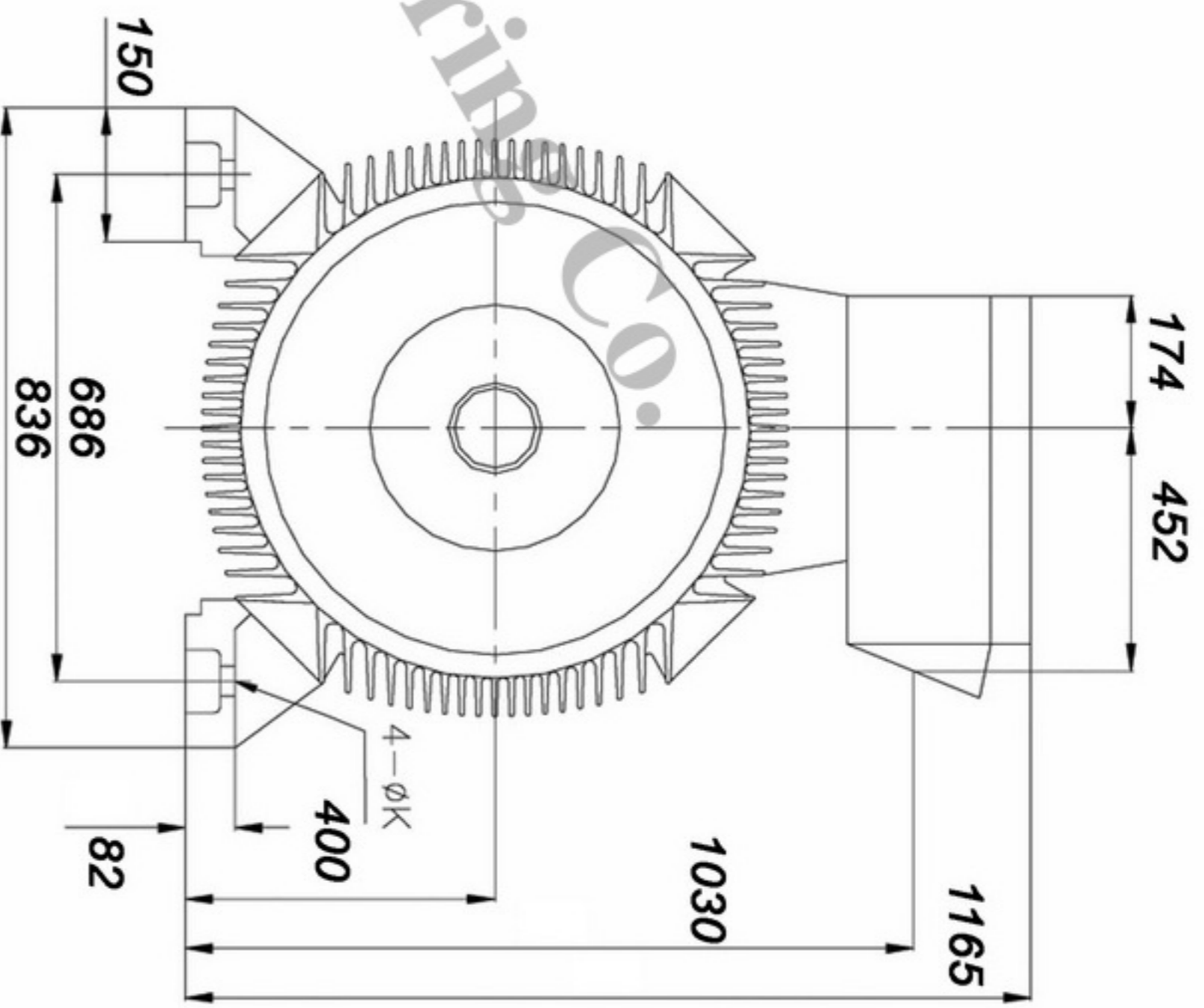
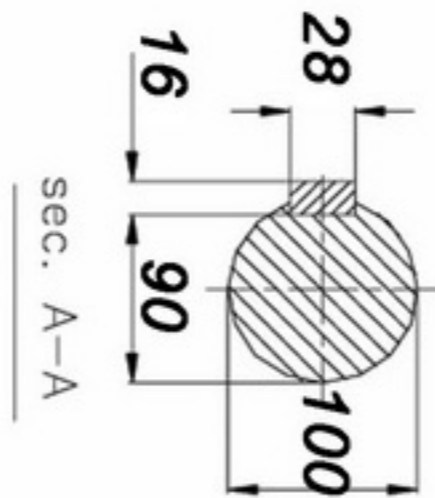
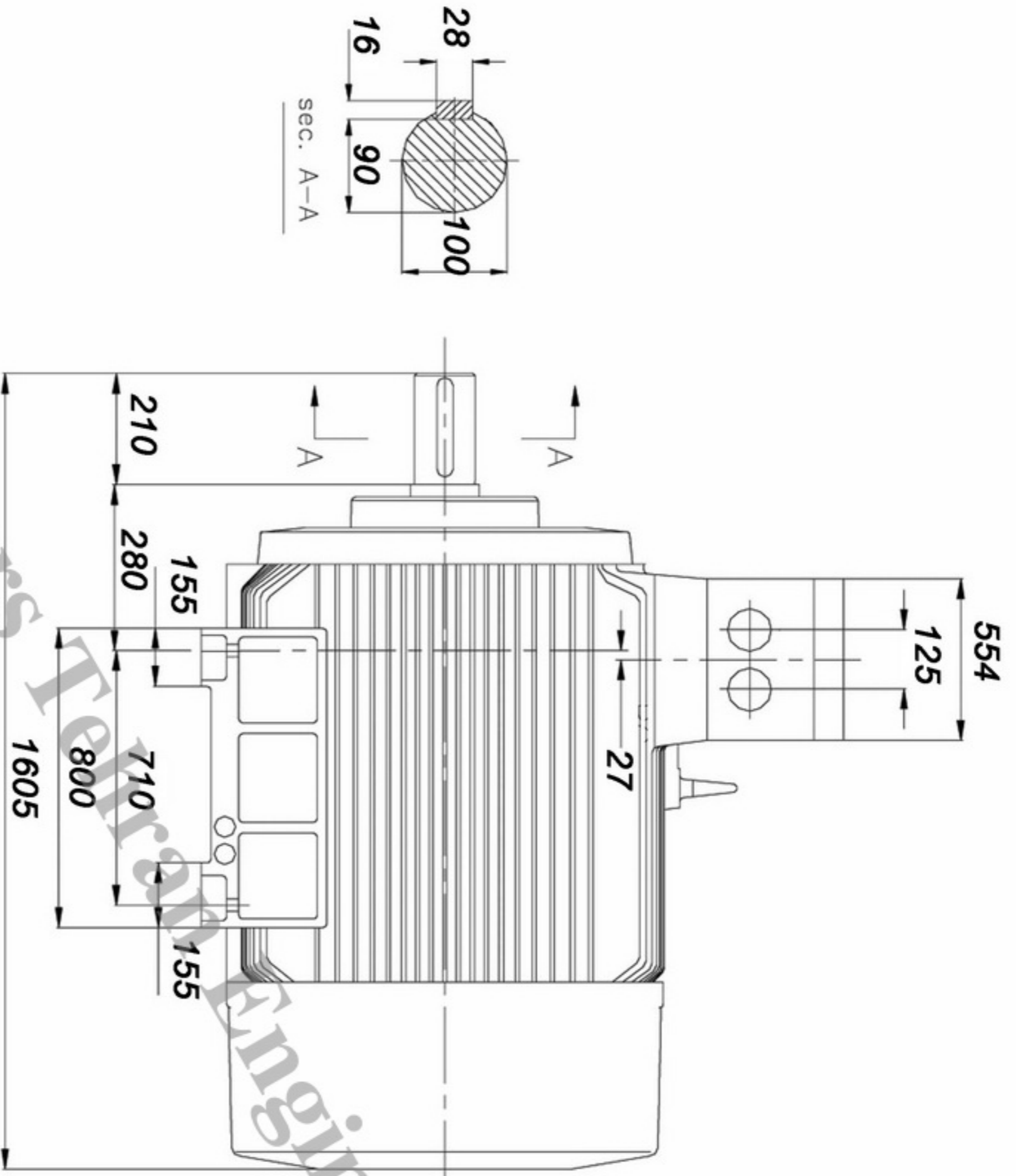
JEMCO



الکتروموتور ۳۵۵ کیلووات ۱۵۰۰ دور ماشینهای الکتریکی جوبین (جمکو)

Subject: Low voltage squirrel cage induction motors

Customer			Manufacturer Jemco		
Motor Type YU1401-4AO		Average sound pressure level		No load	load
Frame Size 400L	Number of poles 4				
Mounting design IM B3	Type of encloser IP-55		Direction of rotation both <input type="checkbox"/> CW <input type="checkbox"/> CCW <input type="checkbox"/>		
EX-Protective system safe			Bearing DE/NDE Nu324ECMC3/6324-c3		
Duty type S1	Starting		Lubrication Li Base Grease		
Ambient Temperature	40 C		Type of lubrication K3N Din 51825		
Thermal classification F	Tempertur rise B		typical Test IEC60034-1		
Term motor protection optional		outline dimention drawing No. available			
Retad output 355 KW		Location of Terminal Box top			
rated voltage 380V		Number of terminals 6			
connection DELTA		space heater optional			
Ferquency 50 HZ.	speed 1487 rpm		Net weight approx. 2270Kg		
Rated current 614 A		painting RAL 7032			
Starting Current (I_s/I_N) 6.5		Termal Protection optional			
Power Factor	4/4	3/4	1/2	Additional Sensor optional	
	0.89	Frame Material cast iron			
Efficiency	4/4	3/4	1/2		
	95.5%				
Rated torque (T_N) 2280 Nm					
starting torque $(T_s/T_N)=$ 1.2					
Break-down torque $(T_{max}/T_N)=$ 1.8					
Rotor class/material squirrel cage		Aluminium			
Rotor voltage		Rotor current			
Rotor inertia 14.25 Kgm2					
cooling method IC411					
altitude of instalation 1000m					
Additional data and remarks:					
1- permisslbie percentage Voltage imbalance not greater than 1%					
2- Cold Starting per Hour(3)					
3- Hot Starting per Hour(2)					
4- Maximum Hot starting Time not more than 60 second					
5- Maximum cold Time not more than 80 second					
Date		Name		Tolerances acc. To	
Designed				NO.	
checked					



PARS TEHRAN ENG. CO.
PTCO

Offer No.:	
Project:	
Power: 355Kw	
Date:	
Unit: mm	
Code:	YU1401-4A0
Frame:	400L
JEMCO	