



# DATA SHEET

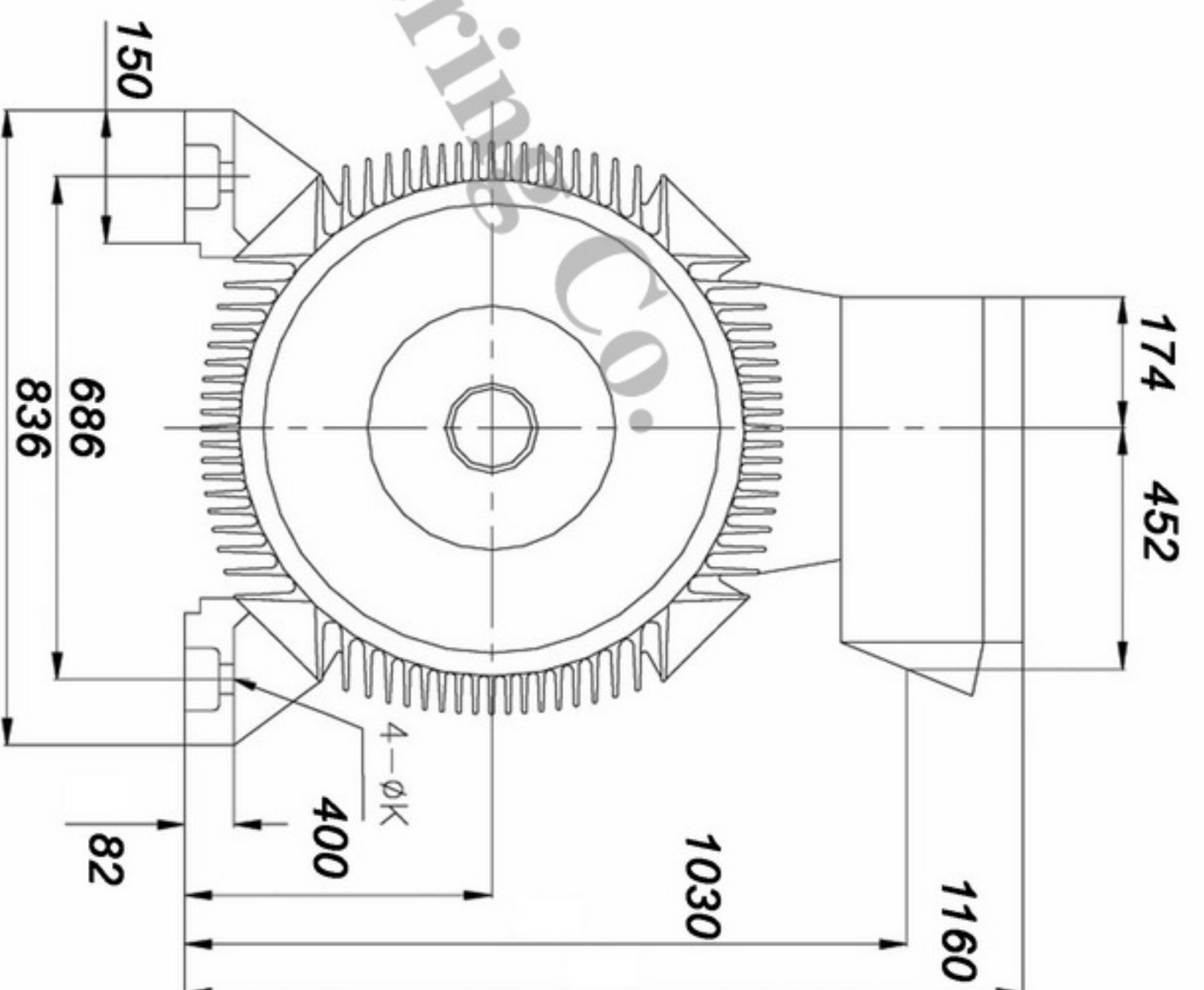
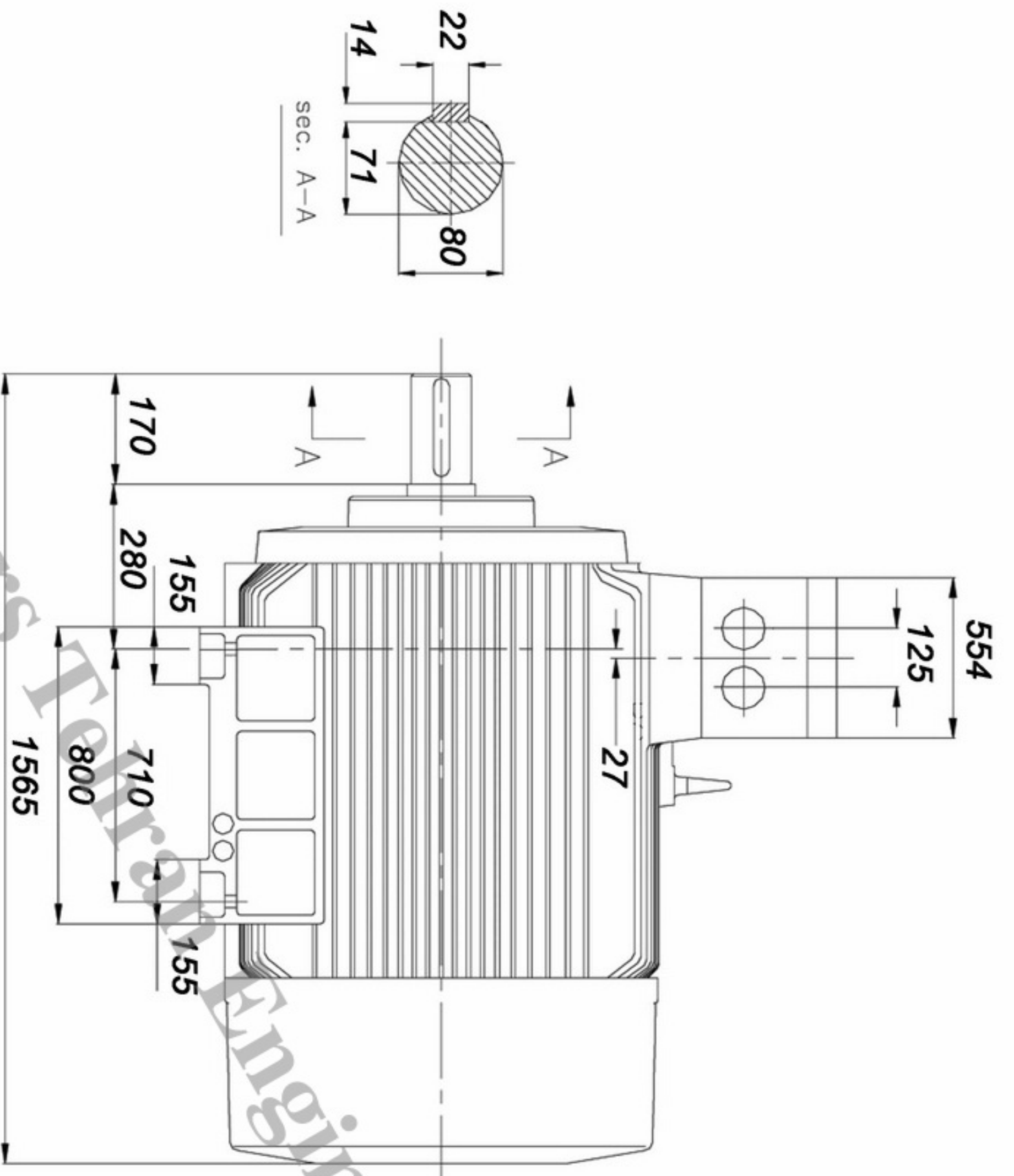
## JEMCO



الکتروموتور ۳۵۵ کیلووات ۳۰۰۰ دور ماشینهای الکتریکی جوین (جمکو)

### Subject: Low voltage squirrel cage induction motors

Customer		Manufacturer		Jemco					
Motor Type		YU1401-2AO		Average sound pressure level	No load	load			
Frame Size	400L	Number of poles	2						
Mounting design	IM B3	Type of encloser	IP-55	Direction of rotation			both <input type="checkbox"/> CW <input type="checkbox"/> CCW <input type="checkbox"/>		
EX-Protective system		safe		Bearing DE/NDE			Nu217ECMC3/Nu217ECMC3		
Duty type	S1	Starting		Lubrication			Li Base Grease		
Ambient Temperature		40 C		Type of lubrication			K3N Din 51825		
Thermal classification		F	Tempertur rise	B	typical Test			IEC60034-1	
Term motor protection		optional		outline dimention drawing No.			available		
Retad output		355 KW		Location of Terminal Box			top		
rated voltage		380V		Number of terminals			6		
connection		DELTA		space heater			optional		
Ferquency		50 HZ.	speed	2978 rpm	Net weight approx.			2110Kg	
Rated current		540 A		painting			RAL 7032		
Starting Current		(I <sub>s</sub> /I <sub>N</sub> )		6.8		Termal Protection		optional	
Power Factor	4/4		3/4		1/2		Additional Sensor		optional
	0.89						Frame Material		cast iron
Efficiency	4/4		3/4		1/2				
	95.2%								
Rated torque		(T <sub>N</sub> )		1138 Nm					
starting torque		(T <sub>s</sub> /T <sub>N</sub> )=		1.2					
Break-down torque		(T <sub>max</sub> /T <sub>N</sub> )=		1.8					
Rotor class/material		squirrel cage		Aluminium		Additional data and remarks:			
Rotor voltage		Rotor current				1- permisslbie percentage Voltage imbalance not greater than 1%			
Rotor inertia		7.25 Kgm <sup>2</sup>				2-Cold Starting per Hour(3)			
cooling method		IC411				3- Hot Starting per Hour(2)			
altitude of instalation		1000m				4- Maximum Hot starting Time not more than 60 second			
						5- Maximum cold Time not more than 80 second			
Date		Name		Tolerances acc. To		NO.			
Designed									
checked									



**PARS TEHRAN ENG. CO.**  
PTCO

	Offer No.:
Power: 355Kw	Project:
Date:	Code: YU1401-2A0
Unit: mm	Frame: 400L
<b>JEMCO</b>	