



# DATA SHEET

## JEMCO



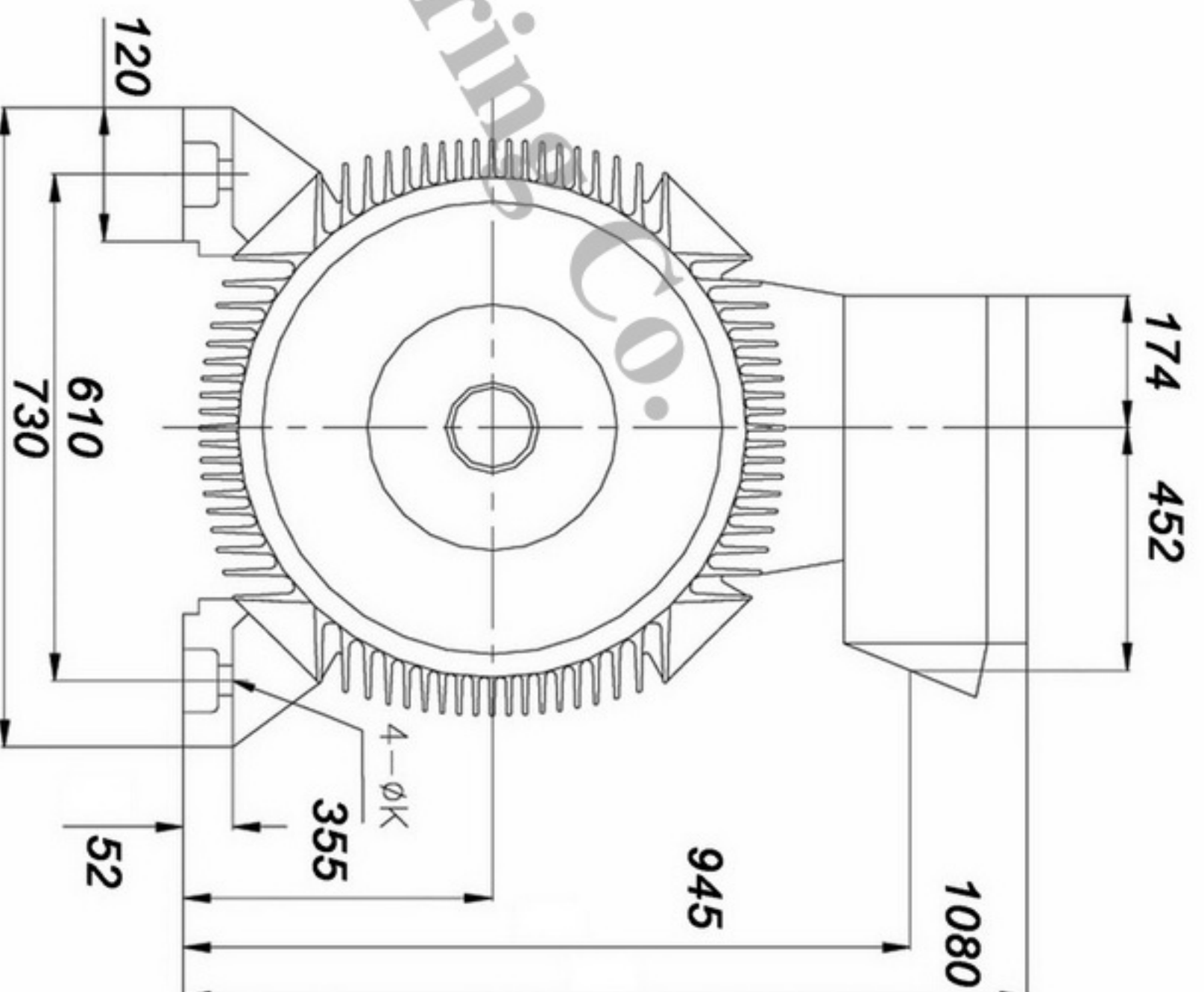
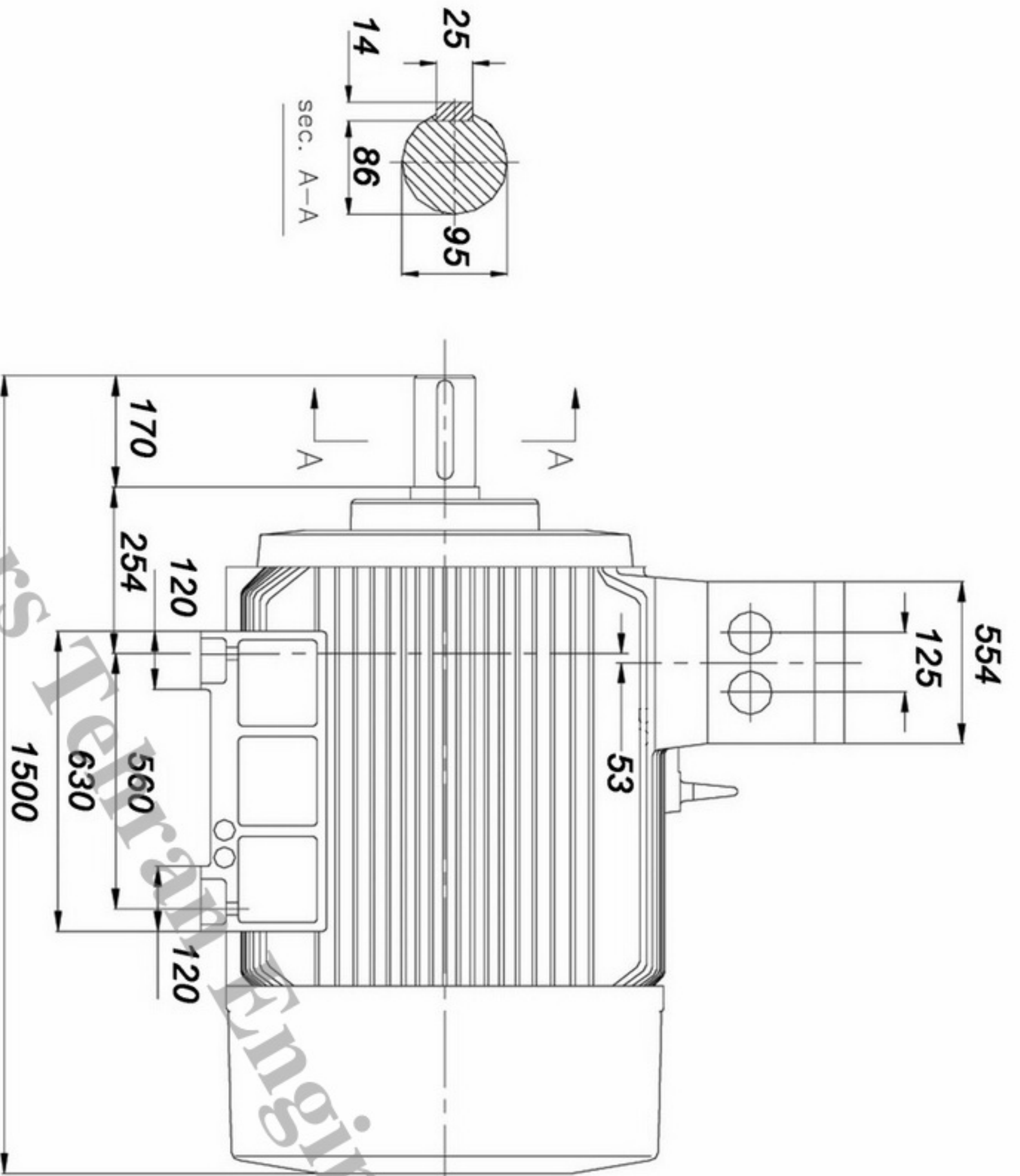
الکتروموتور ۱۶۰ کیلووات ۱۰۰۰ دور ماشینهای الکتریکی جوبین (جمکو)

**Subject: Low voltage squirrel cage induction motors**

Customer		Manufacturer		Jemco			
Motor Type		YU1351-6AO		Average sound pressure level	No load	load	
Frame Size	355M	Number of poles	6				
Mounting design	IM B3	Type of encloser	IP-55	Direction of rotation			
EX-Protective system		safe		both <input type="checkbox"/> CW <input type="checkbox"/> CCW <input type="checkbox"/>			
Duty type	S1	Starting		Bearing DE/NDE			
Ambient Temperature	40 C			6322-c3/6322-c3			
Thermal classification	F	Tempertur rise	B	Lubrication			
Term motor protection	optional			Li Base Grease			
Retad output	160 KW		Type of lubrication				
rated voltage	380V		K3N Din 51825				
connection	DELTA		typical Test				
Ferquency	50 HZ.	speed	985 rpm	IEC60034-1			
Rated current	295 A		outline dimention drawing No.				
Starting Current	(I <sub>s</sub> /I <sub>N</sub> )		6.5		available		
Power Factor	4/4	3/4	1/2	Location of Terminal Box			
	0.87			top			
Efficiency	4/4	3/4	1/2	Number of terminals			
	94.2%			6			
Rated torque	(T <sub>N</sub> )		1551 Nm				
starting torque	(T <sub>s</sub> /T <sub>N</sub> )=		1.3				
Break-down torque	(T <sub>max</sub> /T <sub>N</sub> )=		2				
Rotor class/material	squirrel cage		Aluminium				
Rotor voltage			Rotor current				
Moment of inertia			7.75 Kgm2				
cooling method			IC411				
altitude of instalation			1000m				
Date		Name		Tolerances acc. To		NO.	
Designed							
checked							

Additional data and remarks:

- 1- permisslbie percentage Voltage imbalance not greater than 1%
- 2- Cold Starting per Hour(3)
- 3- Hot Starting per Hour(2)
- 4- Maximum Hot starting Time not more than 60 second
- 5- Maximum cold Time not more than 80 second



**PARS TEHRAN ENG. CO.**  
PTCO

Offer No.:	
Project:	
Power: 160Kw	
Date:	
Unit: mm	
<b>JEMCO</b>	<b>Frame: 355M</b>
	<b>Code: YU1351-6A0</b>