



DATA SHEET

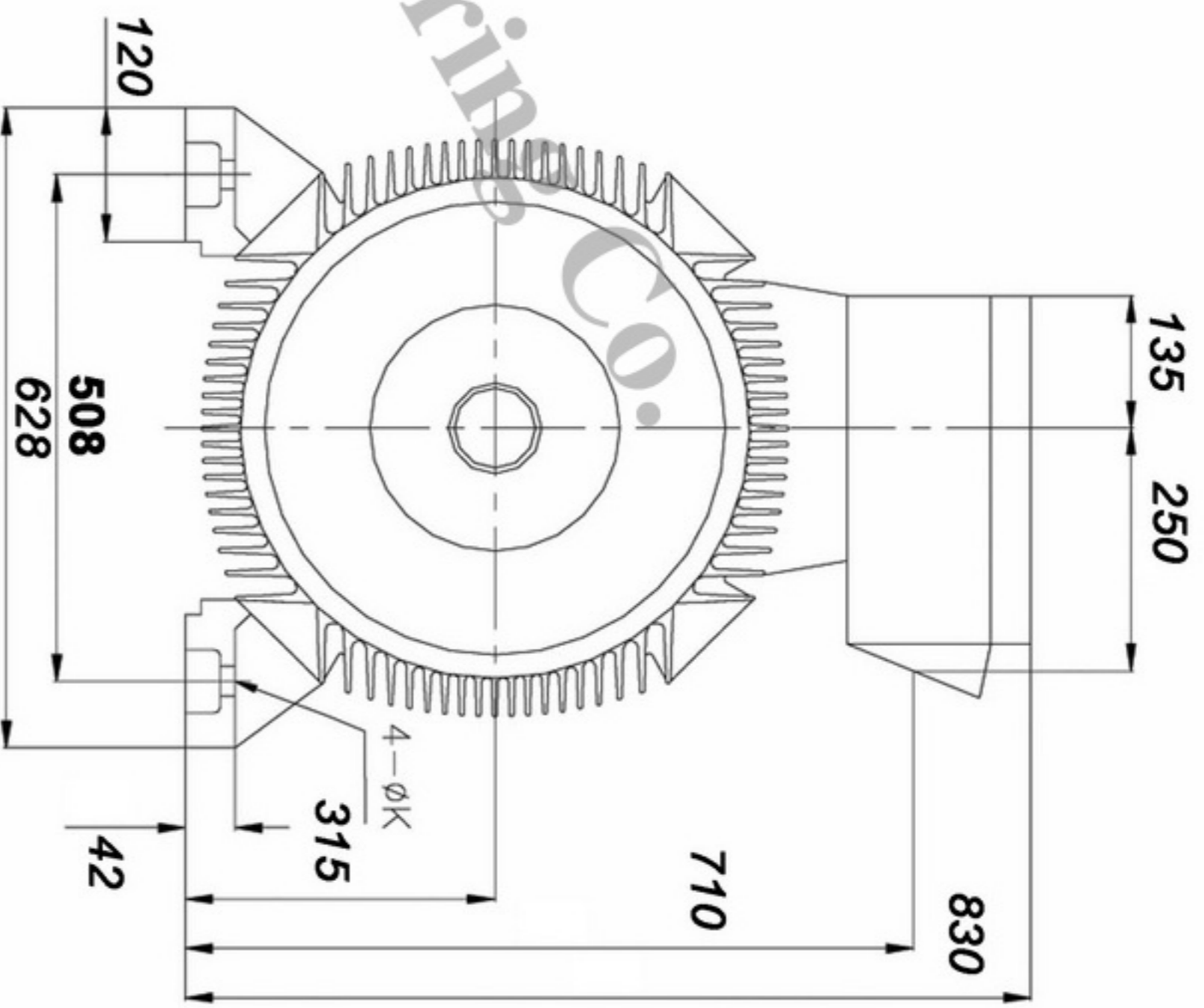
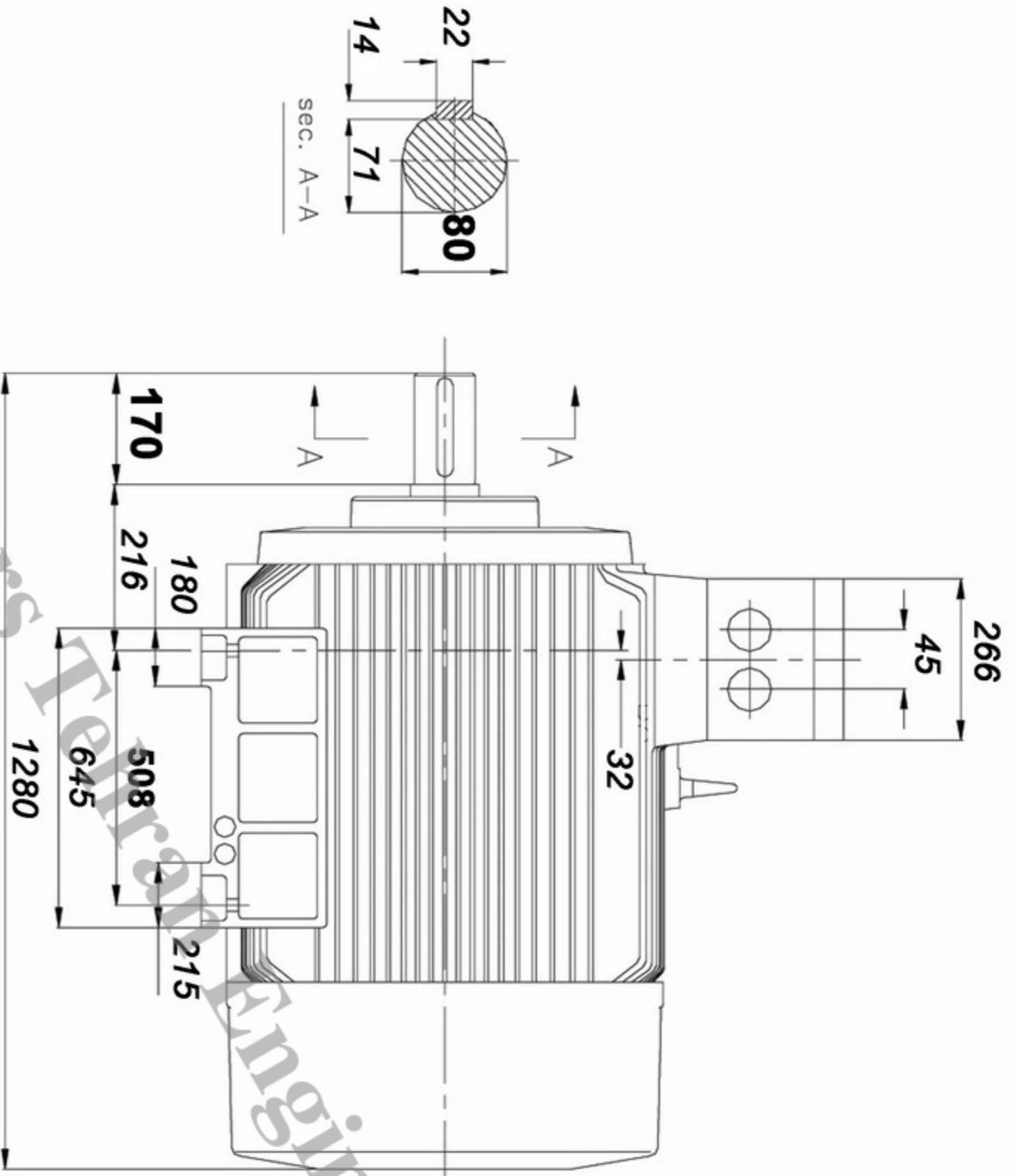
JEMCO



الکتروموتور ۲۰۰ کیلووات ۱۵۰۰ دور ماشینهای الکتریکی جوبین (جمکو)

Subject: Low voltage squirrel cage induction motors

Customer		Manufacturer		Jemco		
Motor Type		YU1315-4AO		Average sound pressure level	No load	load
Frame Size	315L	Number of poles	4			
Mounting design	IM B3	Type of encloser	IP-55	Direction of rotation both <input type="checkbox"/> CW <input type="checkbox"/> CCW <input type="checkbox"/>		
EX-Protective system	safe	Bearing DE/NDE		6319-c3/6319-c3		
Duty type	S1	Starting	Lubrication Li Base Grease			
Ambient Temperature	40 C		Type of lubrication K3N Din 51825			
Thermal classification	F	Tempertur rise	B typical Test IEC60034-1			
Term motor protection	optional		outline dimention drawing No. available			
Retad output	200KW		Location of Terminal Box top			
rated voltage	380V		Number of terminals 6			
connection	DELTA		space heater optional			
Ferquency	50 HZ.	speed	1487 rpm		Net weight approx. 1350Kg	
Rated current	355 A		painting RAL 7032			
Starting Current	(I _s /I _N) 6.8		Termal Protection optional			
Power Factor	4/4	3/4	1/2		Additional Sensor optional	
	0.89			Frame Material cast iron		
Efficiency	4/4	3/4	1/2			
	94.6%					
Rated torque	(T _N) 1284 Nm					
starting torque	(T _s /T _N)= 1.8					
Break-down torque	(T _{max} /T _N)= 2					
Rotor class/material	squirrel cage Aluminium		Additional data and remarks:			
Rotor voltage	Rotor current		1- permisslbie percentage Voltage imbalance not greater than 1%			
Rotor inertia	4.5 Kgm ²		2- Cold Starting per Hour(3)			
cooling method	IC411		3- Hot Starting per Hour(2)			
altitude of instalation	1000m		4- Maximum Hot starting Time not more than 60 second			
	Date	Name	Tolerances acc. To		NO.	
Designed						
checked						



PARS TEHRAN ENG. CO.
PTCO

Offer No.:	
Project:	
Power: 200Kw	
Date:	
Unit: mm	
Code:	YU1315-4A0
Frame:	315L
JEMCO	