



DATA SHEET

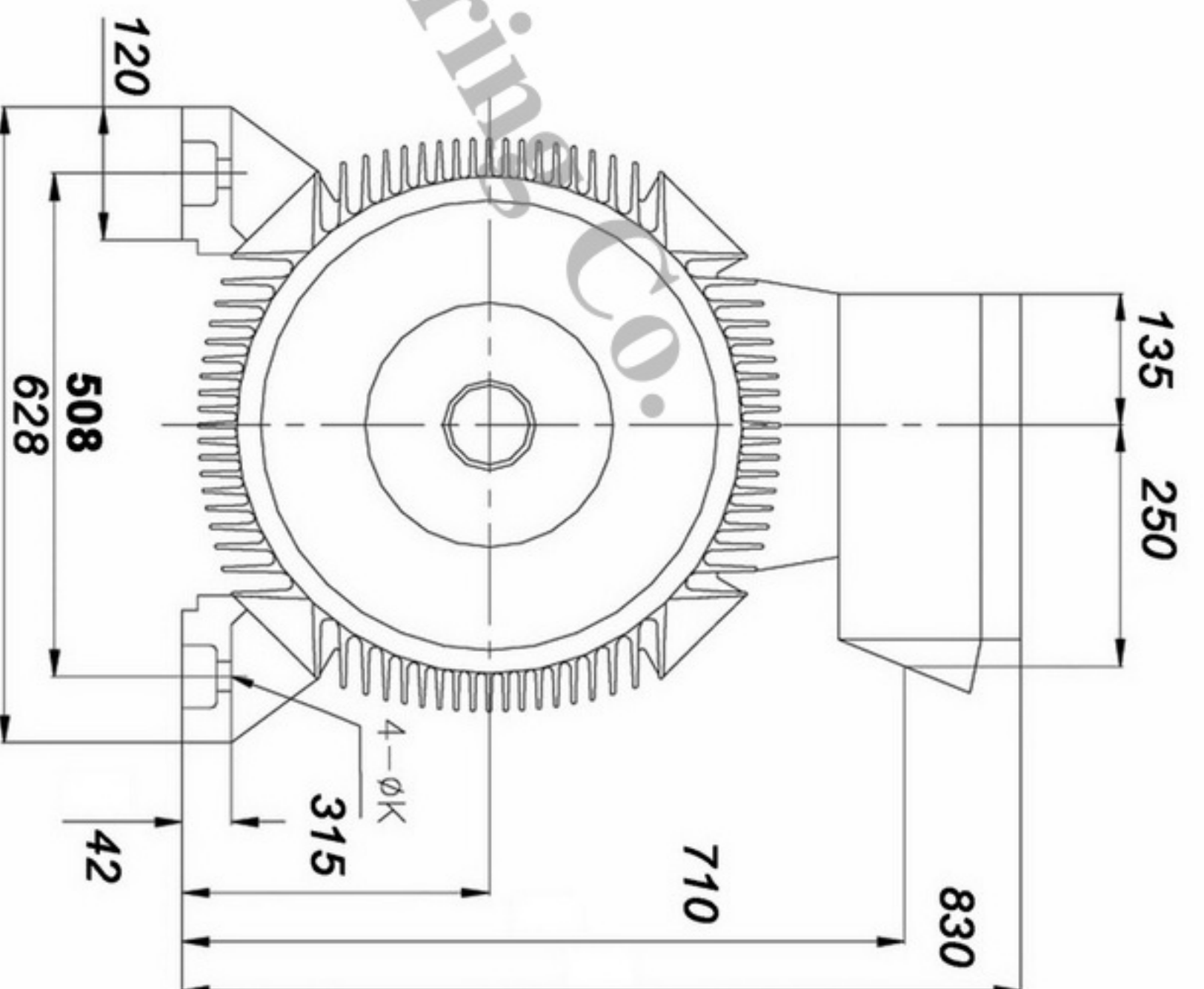
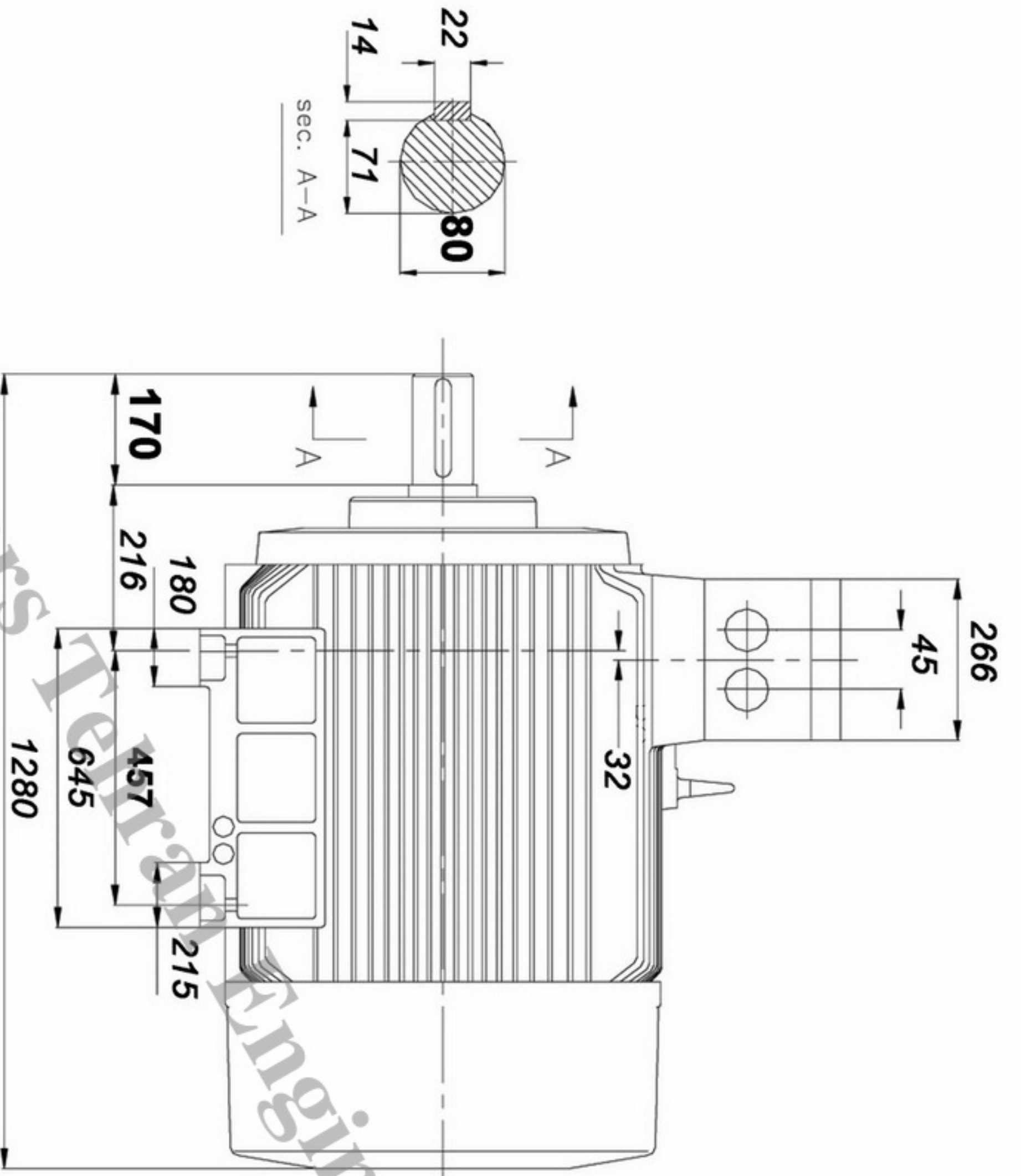
JEMCO



الکتروموتور ۹۰ کیلووات ۱۰۰۰ دور ماشینهای الکتریکی جوبین (جمکو)

Subject: Low voltage squirrel cage induction motors

Customer		Manufacturer		Jemco		
Motor Type		YU1312-6AO		Average sound pressure level	No load	load
Frame Size	315M	Number of poles	6			
Mounting design	IM B3	Type of encloser	IP-55	Direction of rotation both <input type="checkbox"/> CW <input type="checkbox"/> CCW <input type="checkbox"/>		
EX-Protective system	safe	Bearing DE/NDE		6319-c3/6319-c3		
Duty type	S1	Starting	Lubrication Li Base Grease			
Ambient Temperature	40 C	Type of lubrication		K3N Din 51825		
Thermal classification	F	Tempertur rise	B	typical Test IEC60034-1		
Term motor protection	optional	outline dimention drawing No.		available		
Retad output	90 KW		Location of Terminal Box		top	
rated voltage	380V		Number of terminals		6	
connection	DELTA		space heater		optional	
Ferquency	50 HZ.	speed	987 rpm	Net weight approx. 1110Kg		
Rated current	166 A		painting		RAL 7032	
Starting Current	(I _s /I _N)		6.5		Ternal Protection optional	
Power Factor	4/4	3/4	1/2	Additional Sensor optional		
	0.87			Frame Material cast iron		
Efficiency	4/4	3/4	1/2			
	93.3%					
Rated torque	(T _N)	871 Nm		Additional data and remarks: 1- permisslbie percentage Voltage imbalance not greater than1% 2-Cold Starting per Hour(3) 3- Hot Starting per Hour(2) 4- Maximum Hot starting Time not more than 60 second 5- Maximum cold Time not more than 80 second		
starting torque	(T _s /T _N)=	1.6				
Break-down torque	(T _{max} /T _N)=	2				
Rotor class/material	squirrel cage	Aluminium				
Rotor voltage	Rotor current					
Moment of inertia	4.75 Kgm2					
cooling method	IC411					
altitude of instalation	1000m					
	Date	Name	Tolerances acc. To		NO.	
Designed						
checked						



PARS TEHRAN ENG. CO.
PTCO

	Offer No.:
	Project:
Power: 90KW	
Date:	Code: YU1312-6A0
Unit: mm	Frame: 315M
JEMCO	