



# DATA SHEET JEMCO



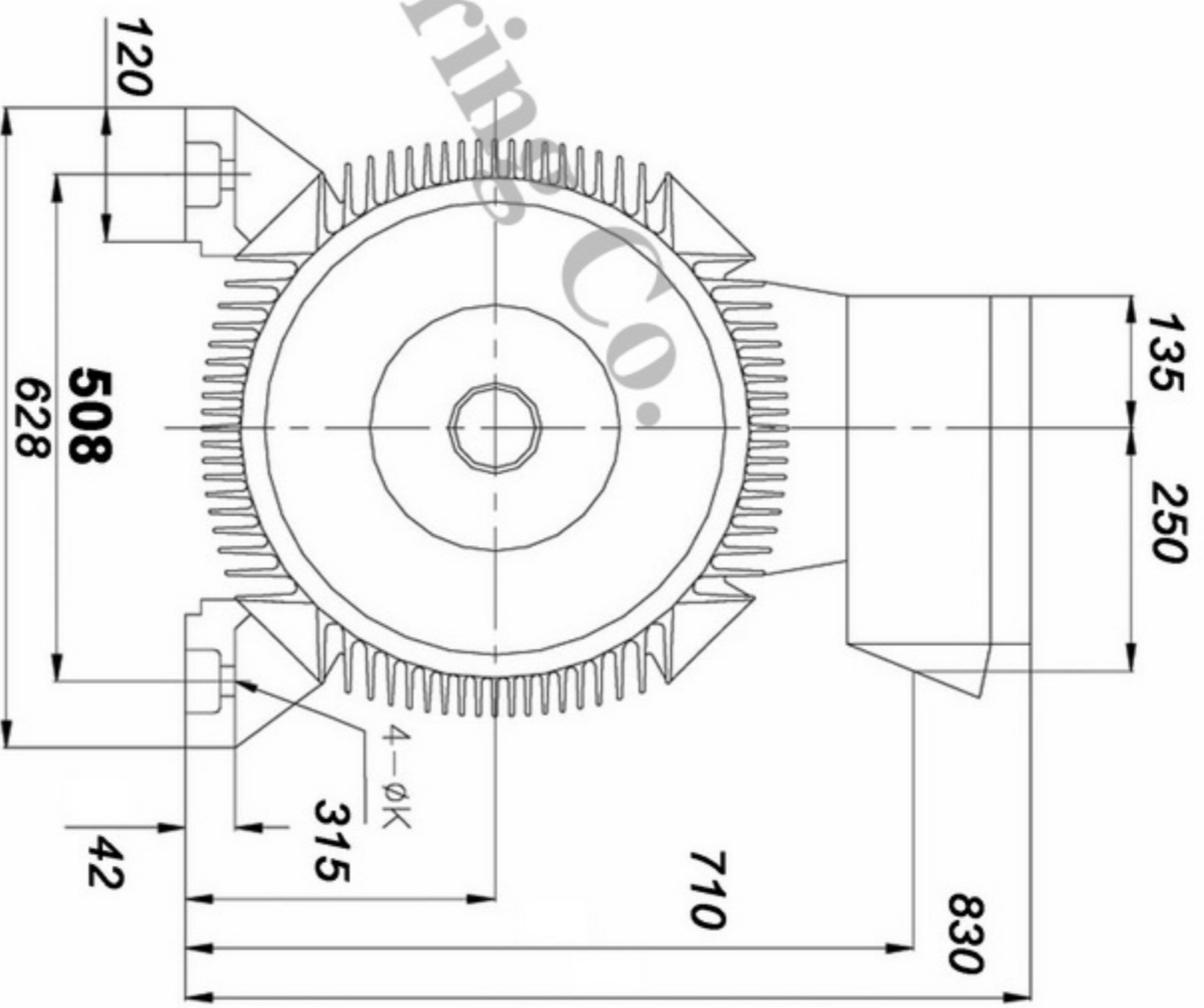
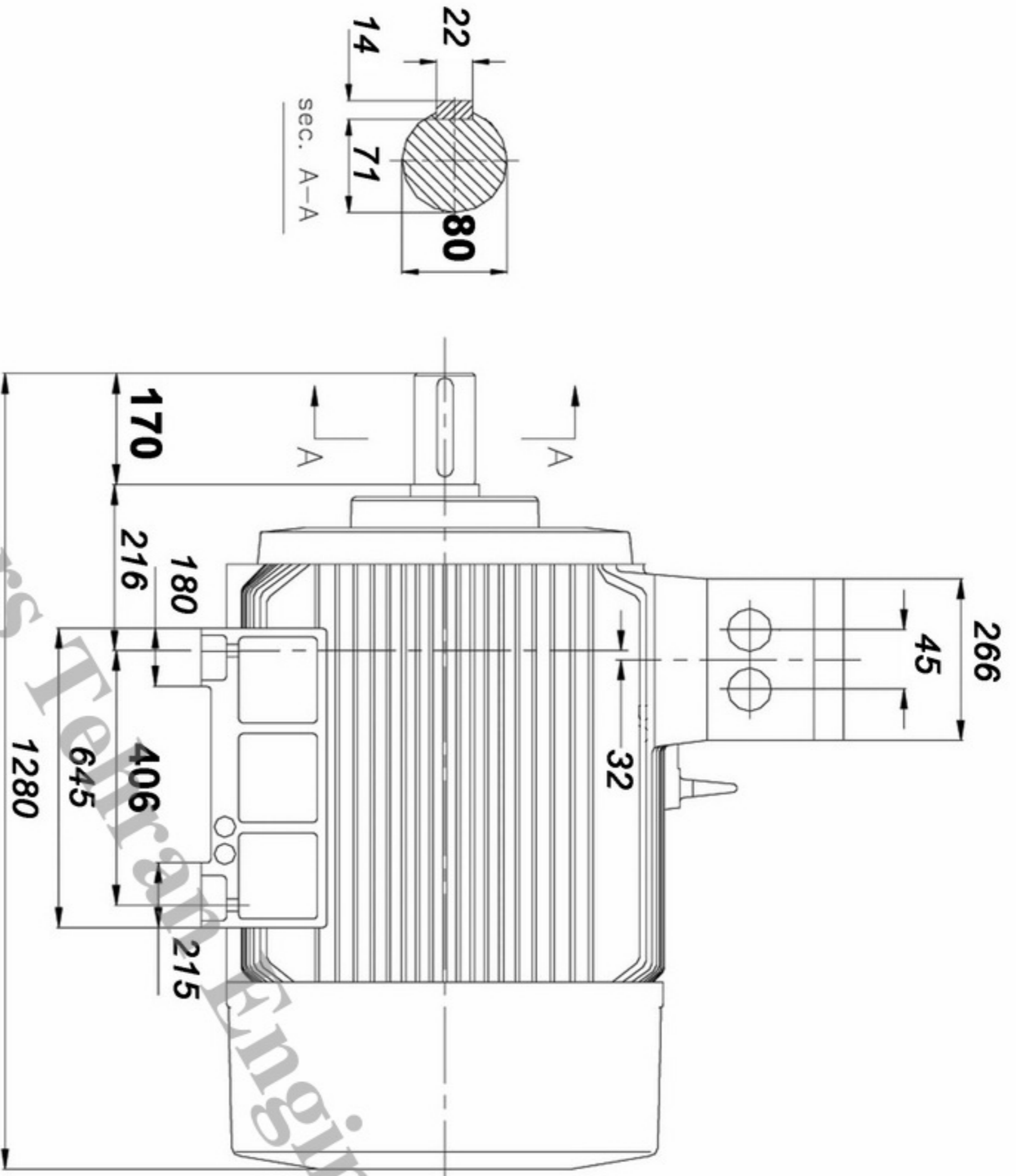
الکتروموتور ۱۱۰ کیلووات ۱۵۰۰ دور ماشینهای الکتریکی جوبین (جمکو)

**Subject: Low voltage squirrel cage induction motors**

Customer		Manufacturer		Jemco		
Motor Type		YU1311-4AO		Average sound pressure level	No load	load
Frame Size	315S	Number of poles	4			
Mounting design	IM B3	Type of encloser	IP-55	Direction of rotation		
EX-Protective system		safe		both <input type="checkbox"/> CW <input type="checkbox"/> CCW <input type="checkbox"/>		
Duty type	S1	Starting		Bearing DE/NDE		
Ambient Temperature	40 C			6319-c3/6319-c3		
Thermal classification	F	Tempertur rise	B	Lubrication		
Term motor protection	optional			Li Base Grease		
Retad output	110 KW			Type of lubrication		
rated voltage	380V			K3N Din 51825		
connection	DELTA			typical Test		
Ferquency	50 HZ.	speed	1487 rpm	IEC60034-1		
Rated current	197 A			outline dimention drawing No.		
Starting Current	(I <sub>s</sub> /I <sub>N</sub> )		6.8	available		
Power Factor	4/4	3/4	1/2	Location of Terminal Box		
	0.89			top		
Efficiency	4/4	3/4	1/2	Number of terminals		
	93.7%			6		
Rated torque	(T <sub>N</sub> )		706 Nm	space heater		
starting torque	(T <sub>s</sub> /T <sub>N</sub> )=		1.8	optional		
Break-down torque	(T <sub>max</sub> /T <sub>N</sub> )=		2	Net weight approx.		
Rotor class/material	squirrel cage		Aluminium	1080Kg		
Rotor voltage	Rotor current			painting		
Moment of inertia	3Kgm <sup>2</sup>			RAL 7032		
cooling method	IC411			Ternal Protection		
altitude of instalation	1000m			optional		
Date	Name	Tolerances acc. To		NO.		
Designed						
checked						

Additional data and remarks:

- 1- permisslbie percentage Voltage imbalance not greater than1%
- 2-Cold Starting per Hour(3)
- 3- Hot Starting per Hour(2)
- 4- Maximum Hot starting Time not more than 60 second
- 5- Maximum cold Time not more than 80 second



**PARS TEHRAN ENG. CO.**  
PTCO

	Offer No.:
Power: 110Kw	Project:
Date:	Code: YU1311-4A0
Unit: mm	Frame: 315S
<b>JEMCO</b>	